

FEATURES:

- Forged brass construction.
- Thermostatic valve cartridge: 18.30.082
- Shut-off cartridge: (2) 18.30.036
- Screw driver spring check valve: (2) 18.30.181
- 14.5 GPM @ 45 PSI (9.5 top exit / 5.0 bottom exit)

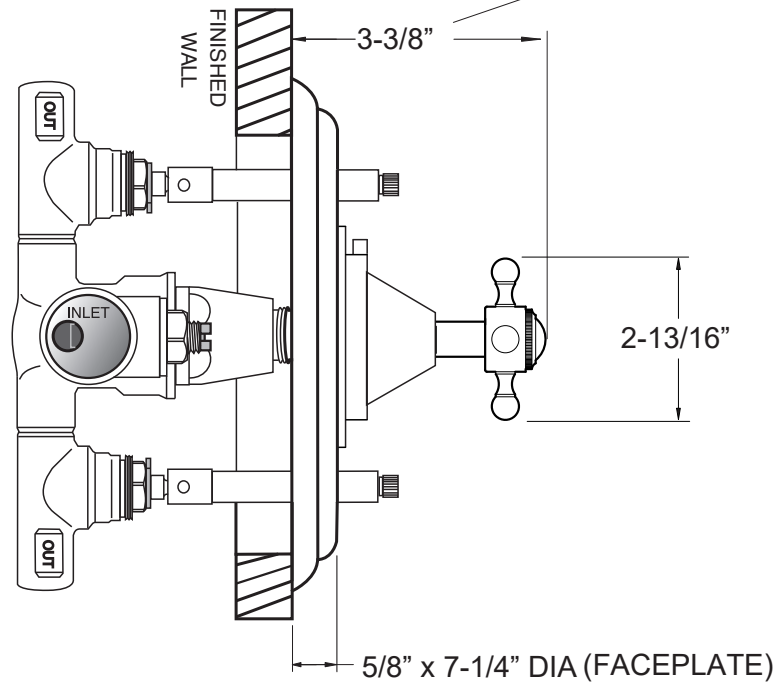
**1/2" Thermostatic Shower
Set with Two Volume Controls
with Sussex Handle**

1.007896.V2

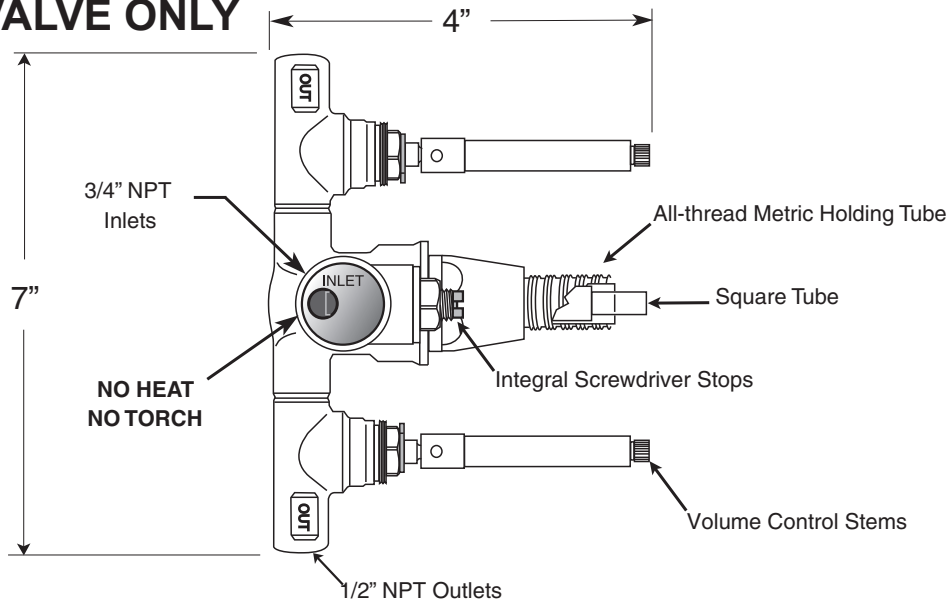
(1.007896.V2T Trim Only)

SIDE VIEW - INSTALLED

Note: See installation instructions for proper depth of valve to the finished wall



SIDE VIEW - VALVE ONLY



Note: Measurements are subject to change or cancellation. No responsibility is assumed for use of superseded or voided pages.