

FEATURES:

- Forged brass construction.
- Thermostatic valve cartridge: 18.30.082
- Screw driver spring check valve: (2) 18.30.181
- 14.5 GPM @ 45PSI (9.5 top exit)
- Certified to meet or exceed the following codes and standards:
ASME A112.18.1/CSAB 125.1-2012

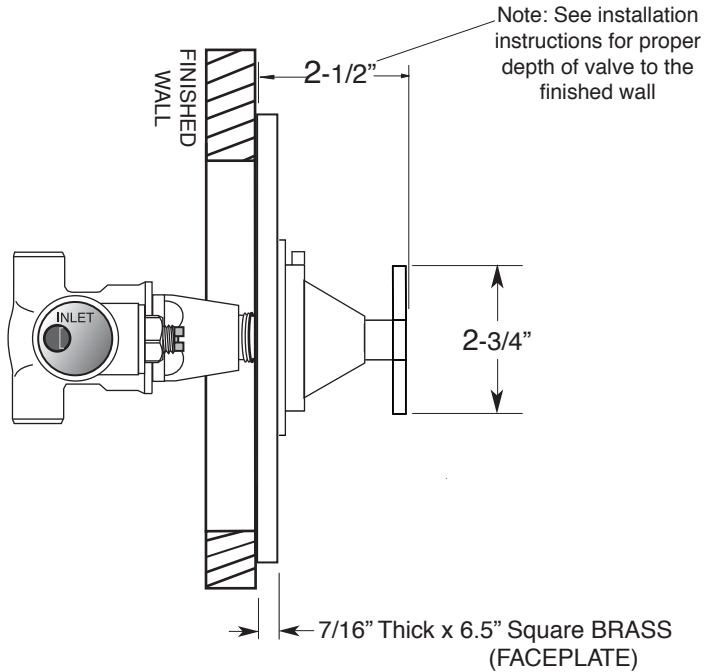
1/2" Thermostatic

**No Volume Control
Valve & Trim
Mixx Handle**

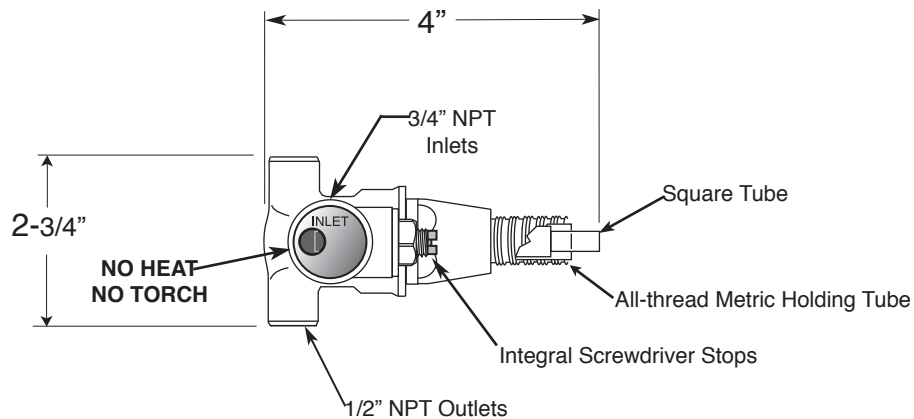
1.053296.V0
(1.053296.V0T Trim Only)

Note: Separate shut-offs required to operate system.

SIDE VIEW - INSTALLED



SIDE VIEW - VALVE ONLY



Note: Measurements are subject to change or cancellation. No responsibility is assumed for use of superseded or voided pages.