

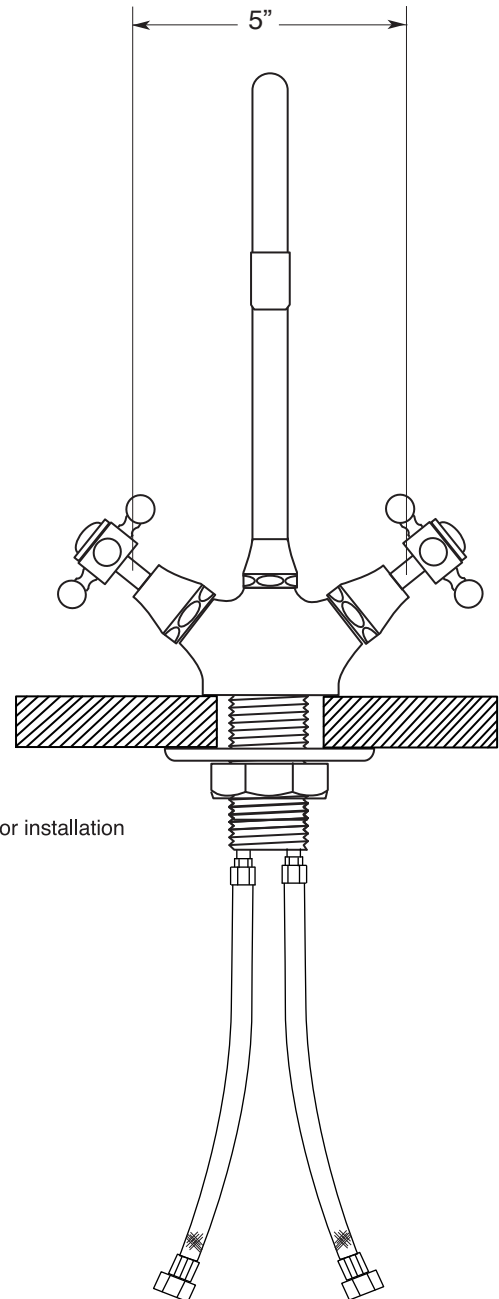
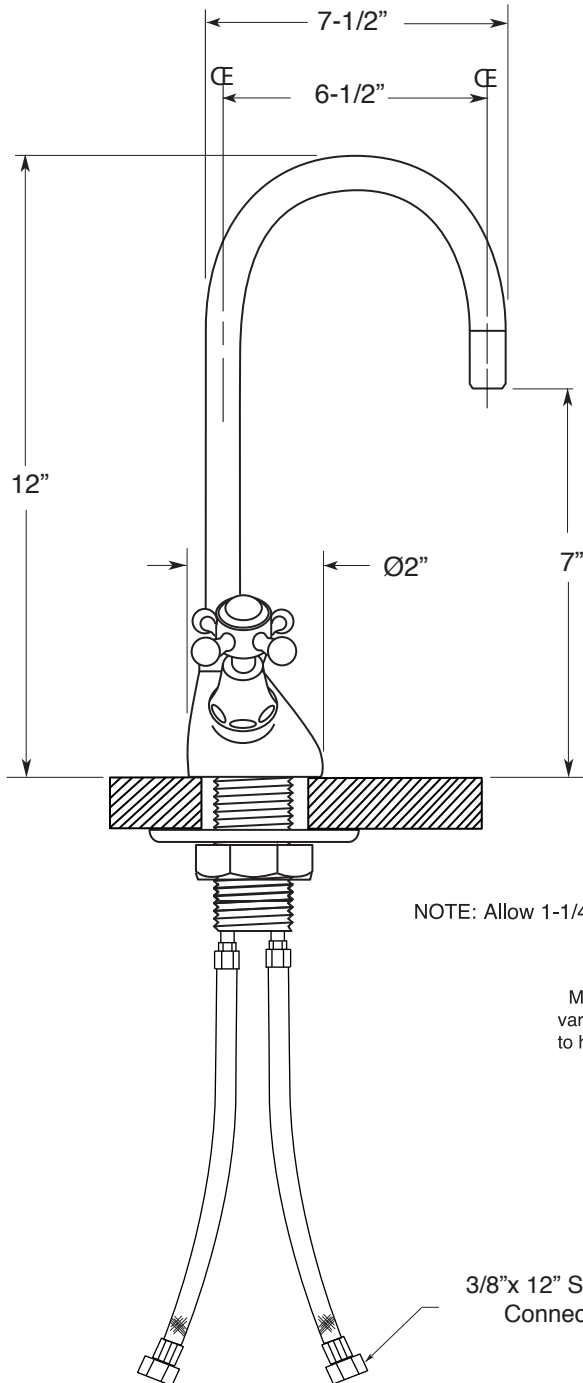
**FEATURES:**

- All brass construction
- Available in all Sigma finishes
- 12" Stainless steel flex lines are supplied
- Maximum deck thickness: 1-3/4"
- Replacement cartridge: 18.30.029 - cold, 18.30.030 - hot
- Certified to meet or exceed the following codes and standards:  
ASME A112.18.1/CSA B 125.1-2011

**Kitchen & Bar**

**Single Hole Y-Body  
Swivel Spout Bar Faucet  
St. Michel Handle**

1.025510



NOTE: Allow 1-1/4" diameter hole for installation

NOTE:  
Measurement  
varies according  
to handle choice

3/8"x 12" S.S. Flex  
Connectors

Note: Measurements are subject to change or cancellation. No responsibility is assumed for use of superseded or voided pages.