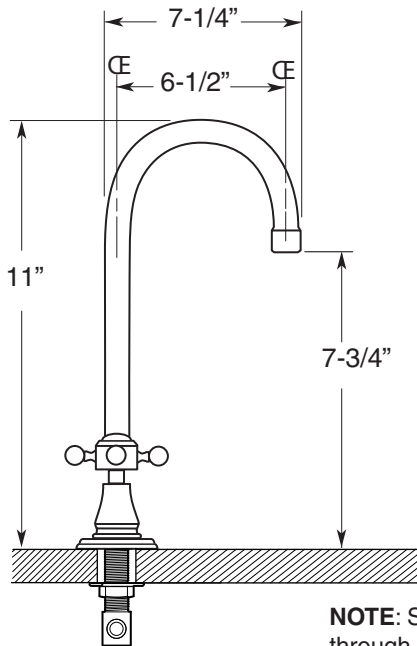


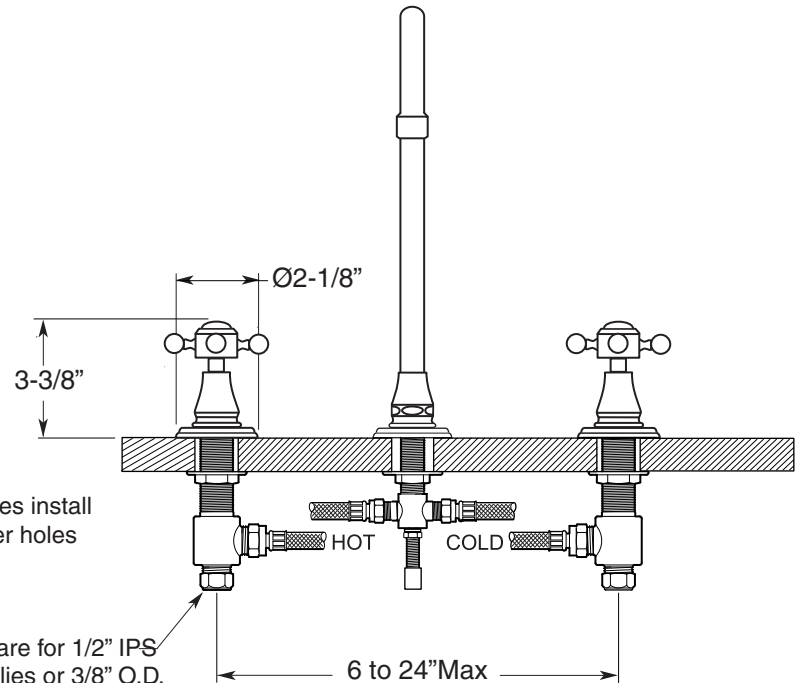
FEATURES:

- All brass construction
- Available in all Sigma finishes
- 12" Stainless steel flex lines from valves to spout are supplied
- Maximum deck thickness: 1-3/4"
- Replacement cartridge: 18.30.029 - cold / 18.30.030 - hot
- Available: High-arc extended swivel spout, 11" center-center, 14" overall height
- Measurements vary according to handle choice

Widespread Bar Faucet
with Swivel Spout
1.025500
St. Michel Handle



NOTE: Spout and valves install through 1-1/4" diameter holes



Connections are for 1/2" IPS Flexible Supplies or 3/8" O.D. Bull-Nose Risers

Note: Measurements are subject to change or cancellation. No responsibility is assumed for use of superseded or voided pages.