

FEATURES:

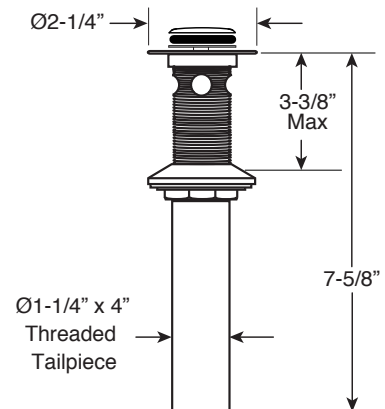
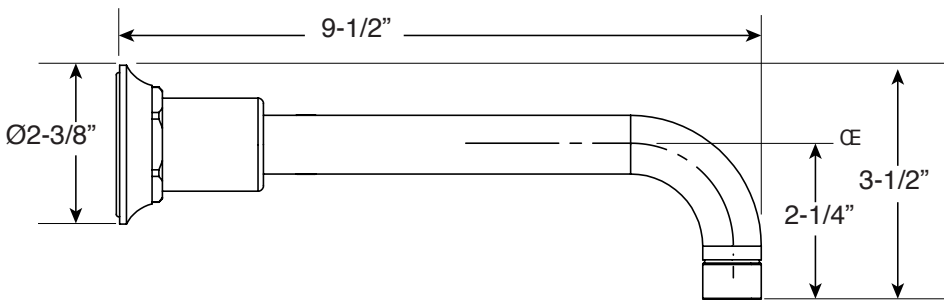
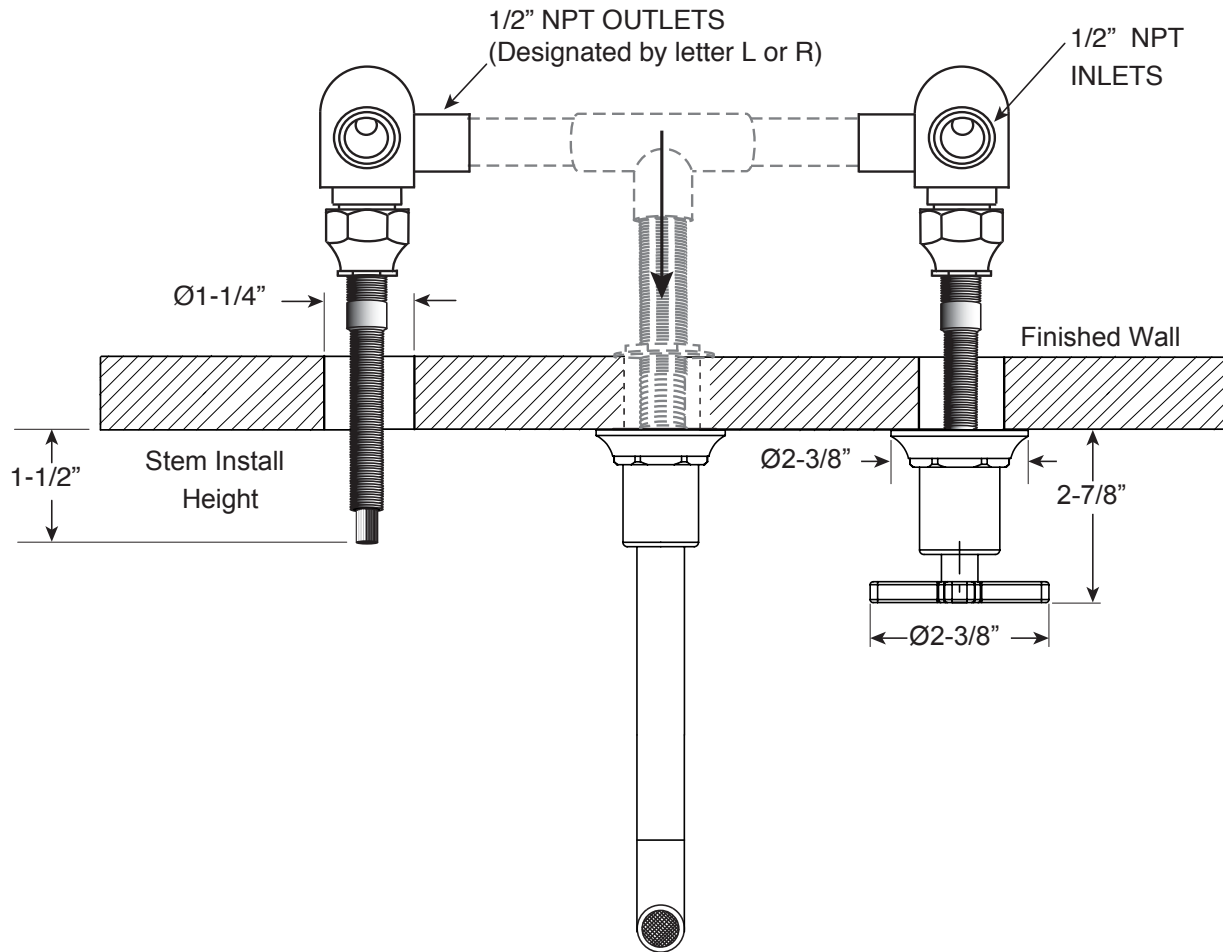
- All brass construction
- Independent corner valves
- Includes soft touch drain w/overflow: P/N 18.11.052
- 1/4-turn ceramic disc valve cartridge.
 - Replacements 18.30.035 Cold + 18.30.036 Hot
- Available in all finishes. Warranty varies according to finish selection.
-

SPECIFICATIONS

310 Series Wall/Vessel Lavatory Set with Tribeca X Handles

1.313907

(1.313907T - Trim Only)



Note: Measurements are subject to change. No responsibility is assumed for use of superseded or voided pages.