

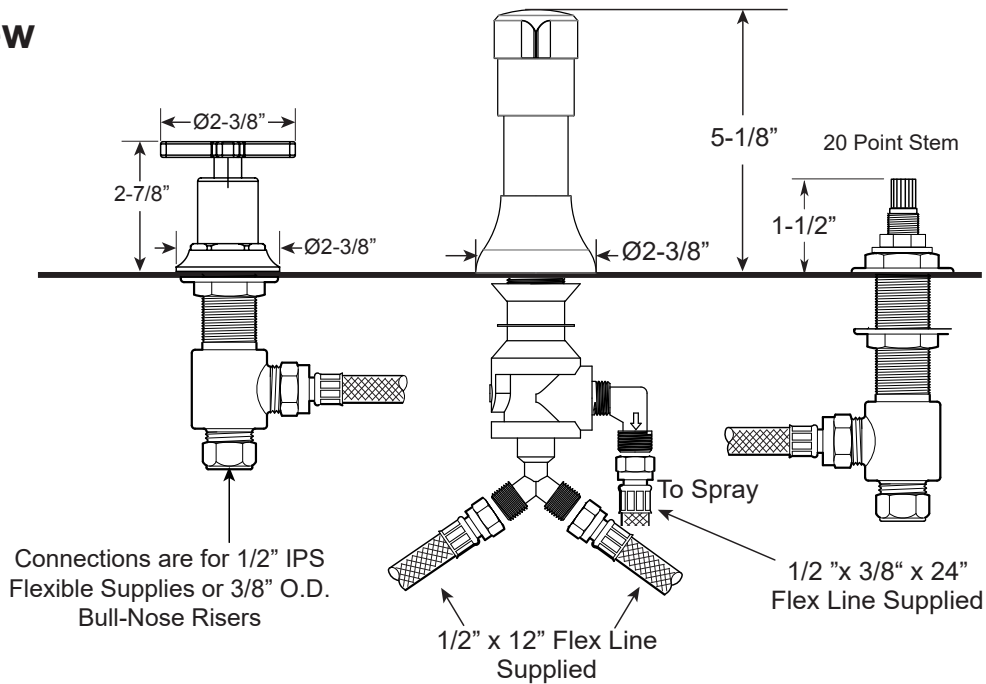
**FEATURES:**

- All brass construction.
- Hot & Cold valves and integral Vacuum Breaker/Diverter require 1-1/4" (max.) holes.
- Includes pop-up drain assembly with overflow. Longer ball rod available on request. P/N: APS.11.019
- Diverter controls water flow between douche spray & flushing rim.
- 1/4-turn ceramic disc valve cartridges for handles.
- Available in all finishes. Warranty varies according to finish selection.

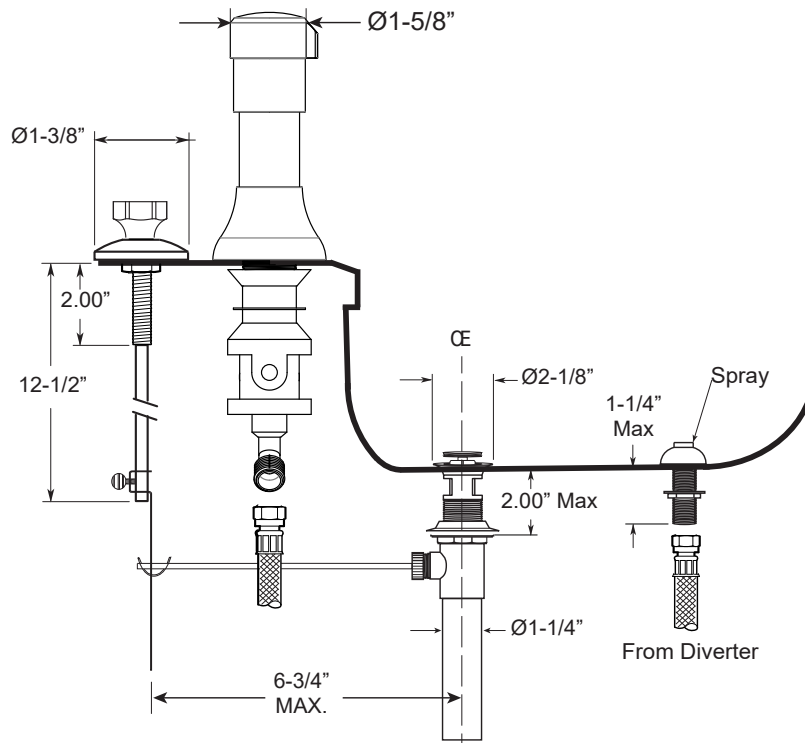
**Bidet Set with  
Tribeca X Handles**

**1.003990**

**Front View**



**Side View**



Note: Measurements are subject to change. No responsibility is assumed for use of superseded or voided pages.