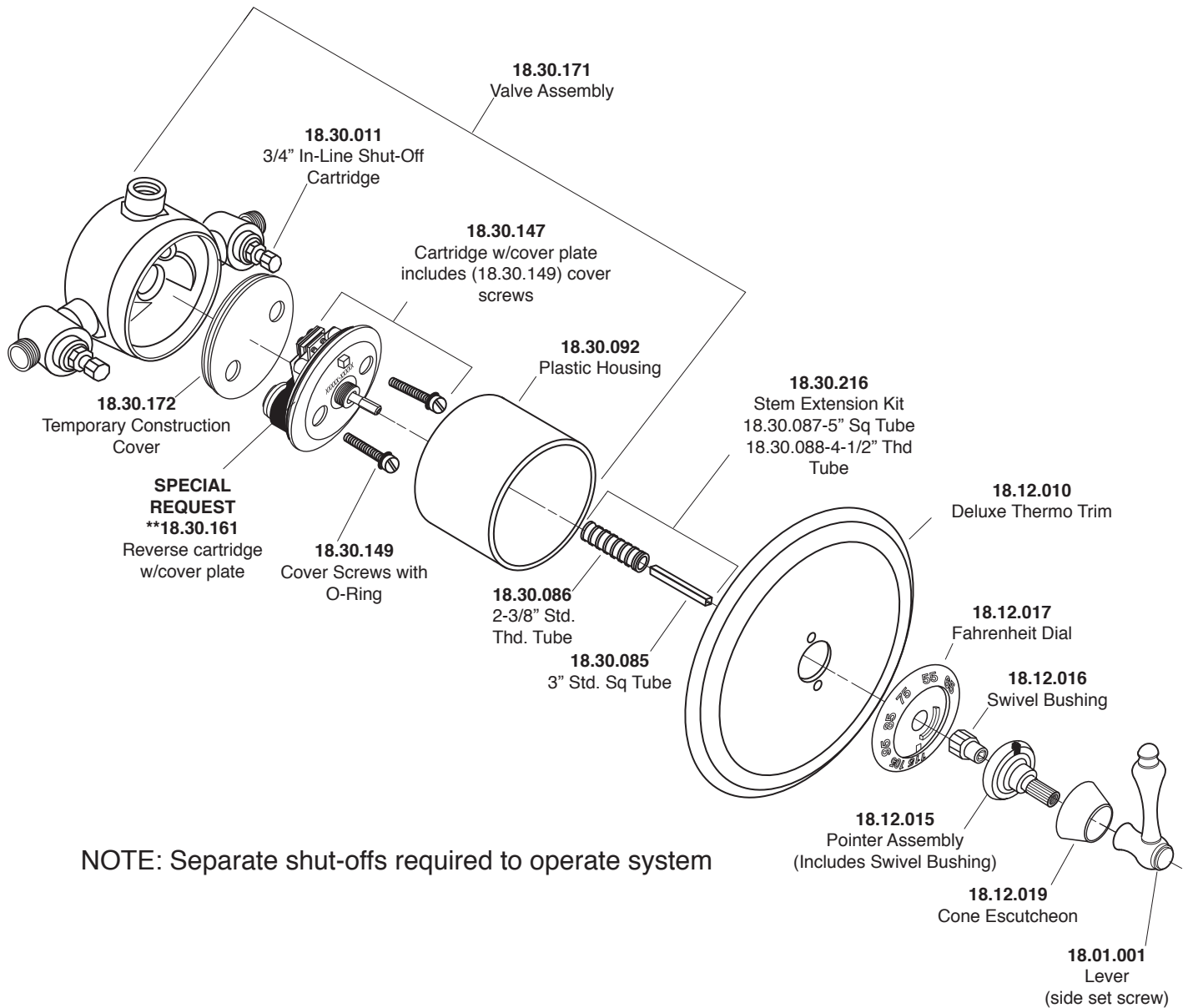


Lexington
3/4" Thermostatic
with Integral Stops

1.000397D



NOTE: Separate shut-offs required to operate system