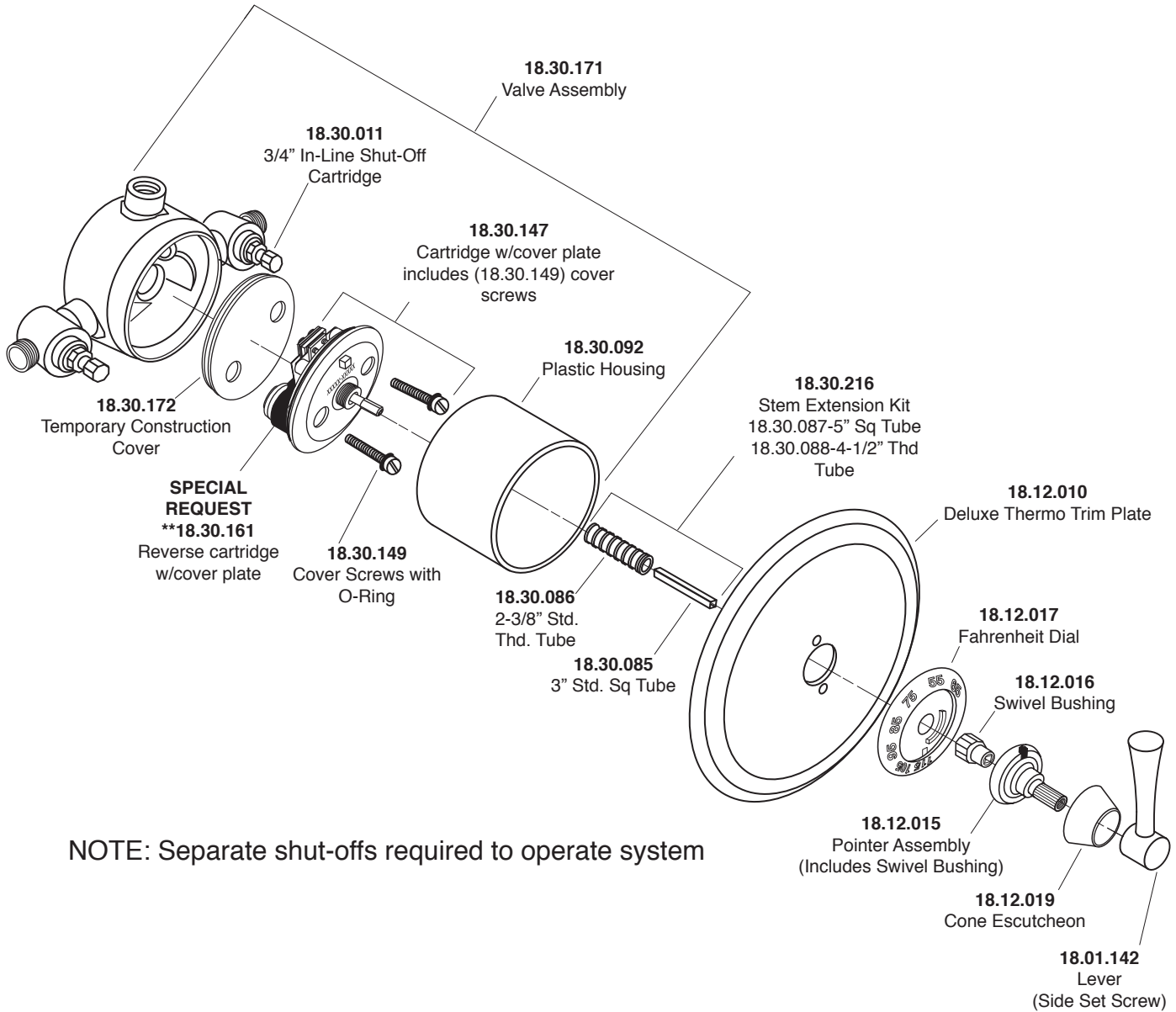


Chicago  
3/4" Thermostatic  
with Integral Stops

1.008597D



NOTE: Separate shut-offs required to operate system