

Series 200

Pressure Balance Shower by Shower Set

1.001467

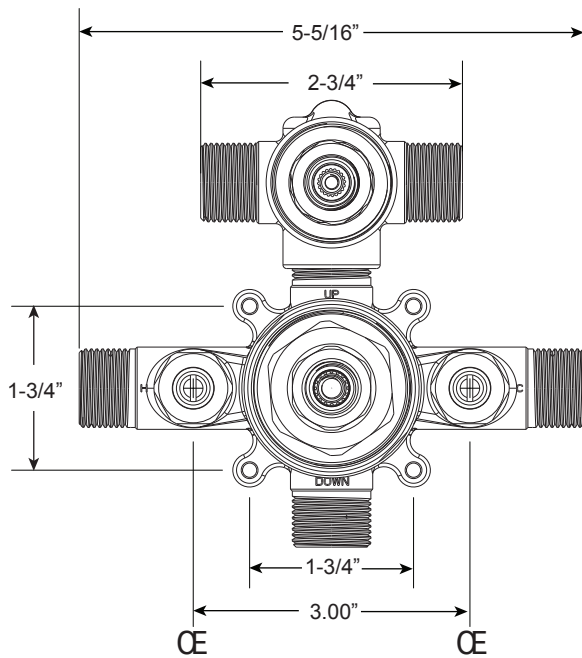
(1.001467T - Trim Only)

Alexandria Handle

16 pt.

**FEATURES:**

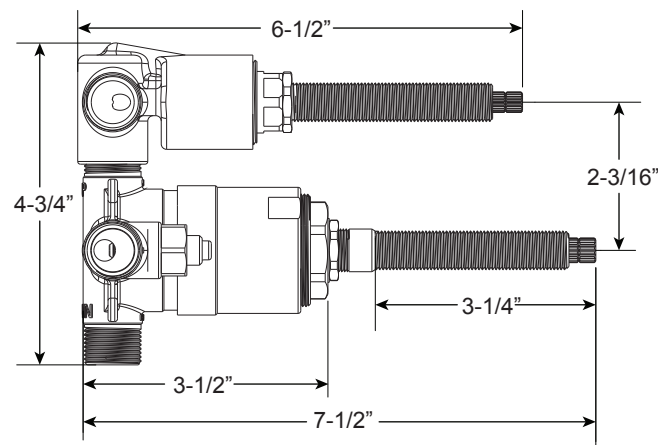
- Forged brass construction
- Valve cartridge 18.30.893
- Diverter cartridge: 18.30.898
- Adjustable hot limit safety stop
- Reversible cartridge
- 4.5 GPM @ 45 PSI
- 



**FRONT VIEW**

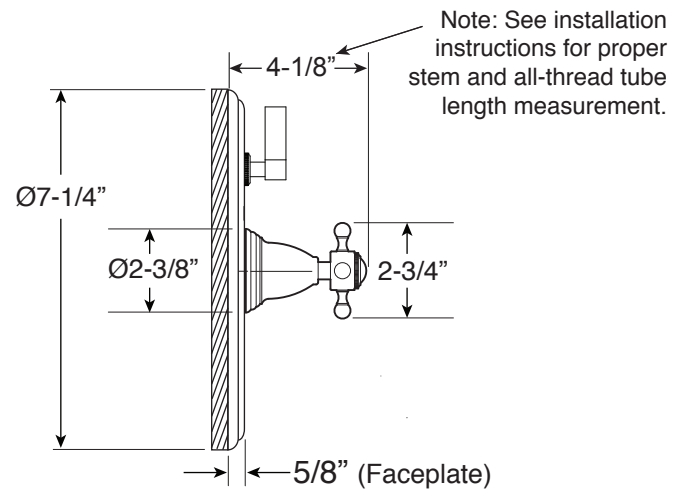
**SIDE VIEW**

*\*Note: Stem and all-thread tube will be sent with handle trim.*



**Please Note:**

*Must purchase the two desired shower components separately. See current catalog for shower component options.*



\* Current valve in use:  
Circa 4/2014 - present  
Contact Customer Service  
for Older Versions

\*\* For additional information on  
cartridges or extension kits,  
see 'Rough Valving' section  
in current catalog.

Note: Measurements are subject to change. No responsibility is assumed for use of superseded or voided pages.