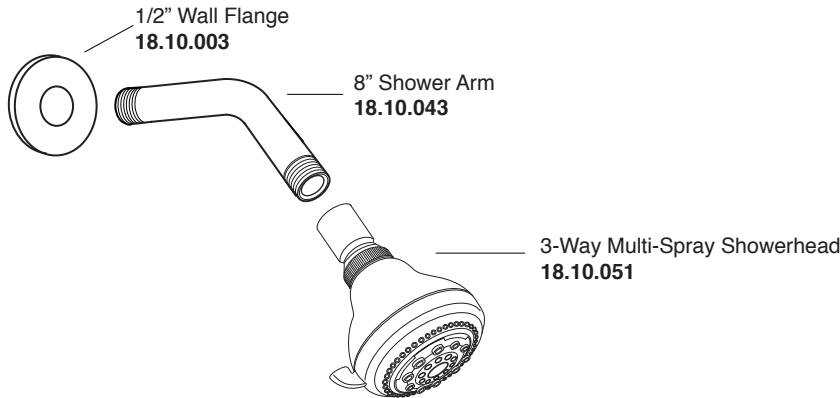


Pressure Balance Tub & Shower Set

1.187868

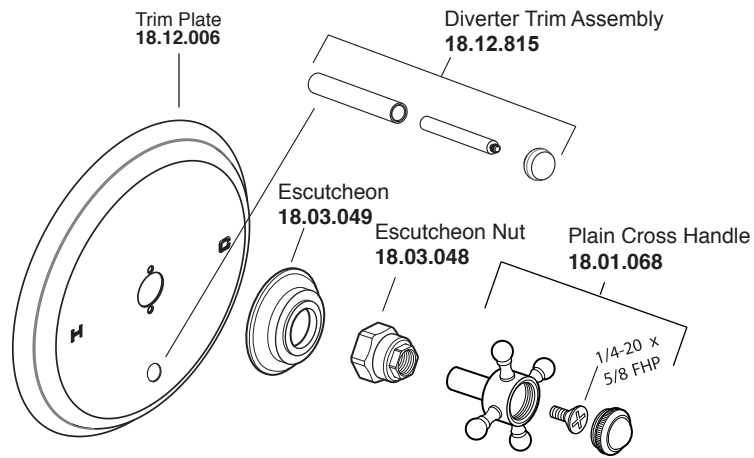
Sussex Handle

16pt.

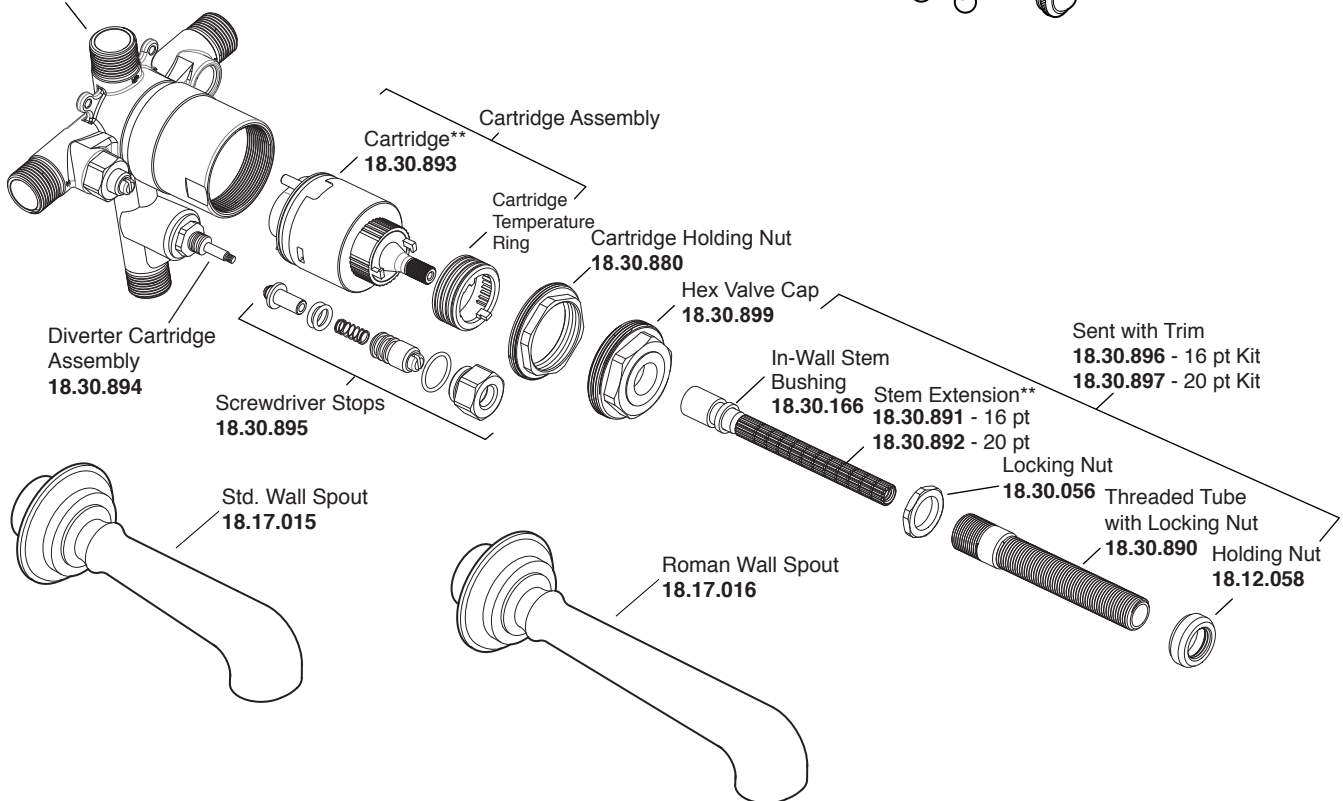


* Current valve in use:
Circa 4/2014 - present
Contact Customer Service
for Older Versions

** For additional information on
cartridges or extension kits,
see 'Rough Valving' section
in current catalog.



Pressure Balance Tub &
Shower Valve*
18.30.062



Sent with Trim
18.30.896 - 16 pt Kit
18.30.897 - 20 pt Kit

Note: Measurements are subject to cancellation. No responsibility is assumed for use of superseded or voided pages.