

SPECIFICATIONS

**Stixx**

Pressure Balance Tub & Shower

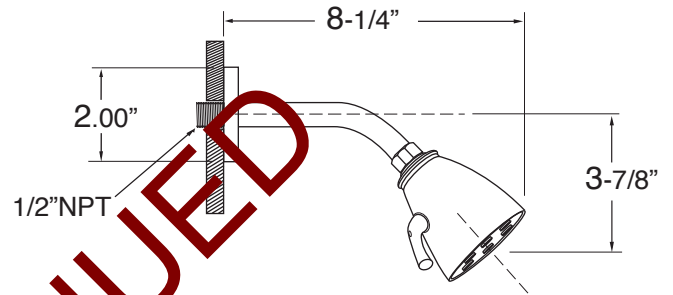
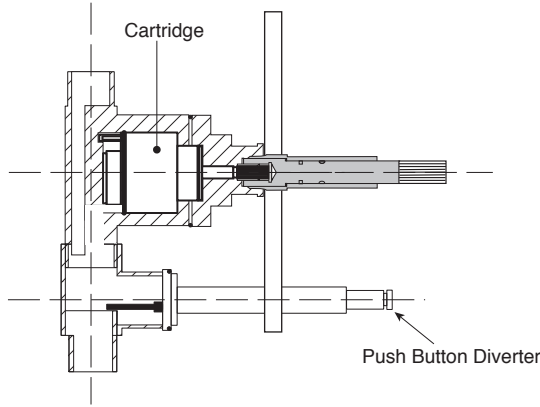
1.239568D

(1.239568DT - Trim Only)

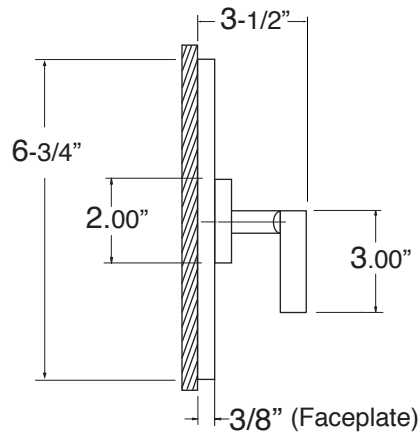
Features:

- Forged brass construction
- Ceramic disk valve cartridge 18.30.865
- Adjustable hot limit safety stop
- Reversible cartridge

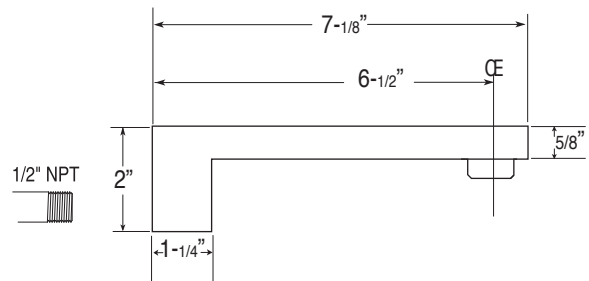
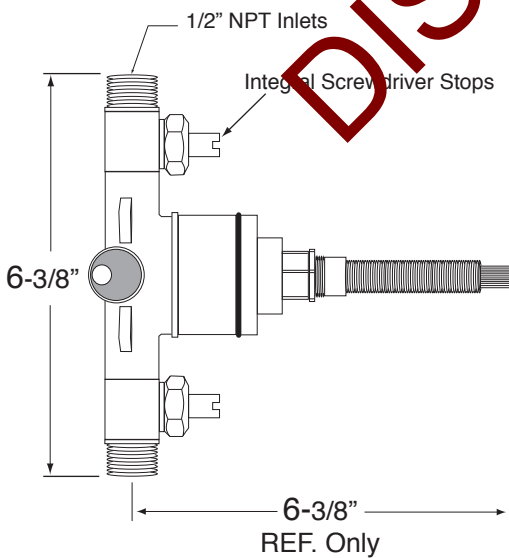
Cutaway View



Note: See installation Instructions for length of stem required from finished wall.



Top View



Note: Measurements are subject to change or cancellation. No responsibility is assumed for use of superseded or voided pages.