

TechData SPECIFICATION St. Julien

1/2" Thermostatic Shower Set

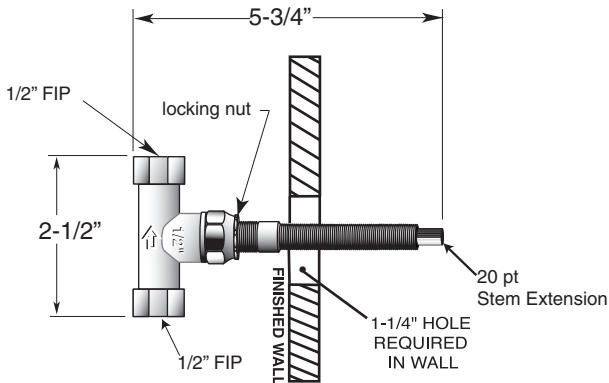
7.0046674

Finial Lever

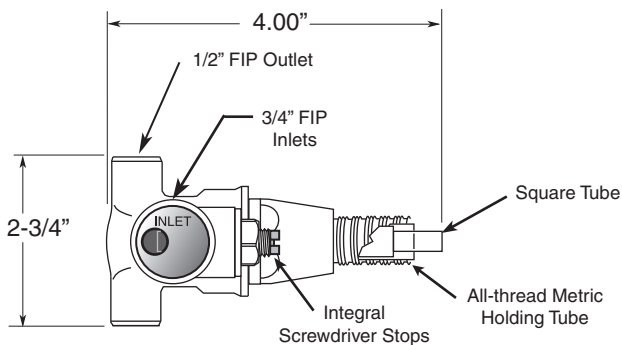
(7.0046674T Trim Only)

FEATURES:

- All brass construction.
- Includes 1.8 GPM 6 plunger shower head, 8" shower arm & deluxe flange.
- Available in all finishes. Warranty varies according to finish selection.
- Thermostatic valve cartridge: 18.30.082
- Shut-off cartridge: 18.30.036
- Screw driver spring check valve: (2) 18.30.181
- 14.5 GPM @ 45PSI (9.5 top exit)



1/2" INLINE SHUT OFF VALVE



1/2" THERMOSTATIC VALVE

