

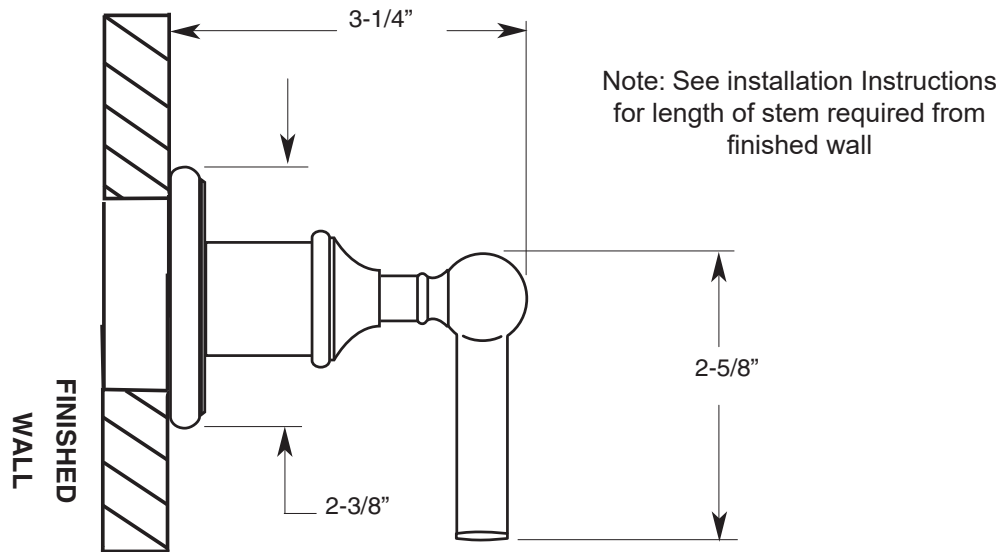


SPECIFICATIONS

Trim for Wall Valve with Lever

7.0015887T

See below for Valve Options



For use with the following valves:

78.30.020 - 1/2" Volume Control - 20 pt.....Replacement cartridge: 18.30.036

78.30.023 - 3/4" Volume Control - 20 pt.....Replacement cartridge: 18.30.011

78.30.255 - 3 port In-wall Diverter - 20 pt.....Replacement cartridge: 18.30.259

78.30.253 - 4 port In-wall Diverter - 20 pt.....Replacement cartridge: 18.30.257

Note: Measurements are subject to change or cancellation. No responsibility is assumed for use of superseded or voided pages.