

FEATURES:

- Cast brass construction
- 3/4" Thermostatic valve w/Integral Stops: 18.30.171
- Thermostatic valve cartridge with cover plate: 18.30.147
- Thermostatic reverse cartridge with cover plate: 18.30.161
- 14.28 GPM @ 56 PSI top exit & 11.10 GPM bottom exit

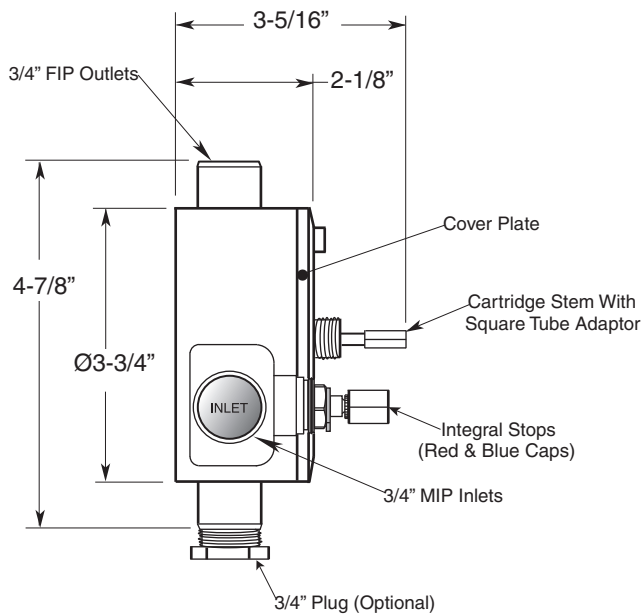
Note: Separate 3/4" shut-offs required to operate system

Imperial Deluxe
3/4" Thermostatic with Integral Stops

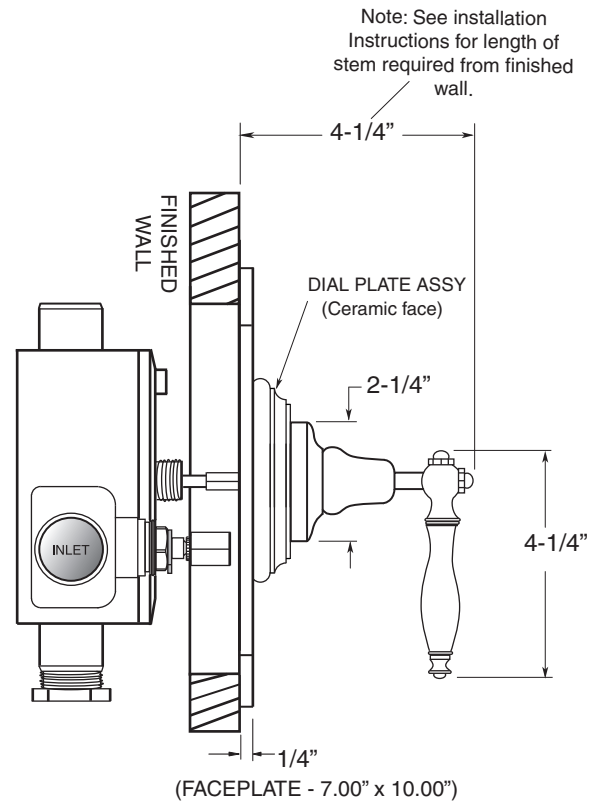
7.0302697D

Finial Lever

(7.0302697DT Trim Only)



SIDE VIEW - VALVE ONLY



SIDE VIEW - INSTALLED