

# TechData

## SPECIFICATIONS

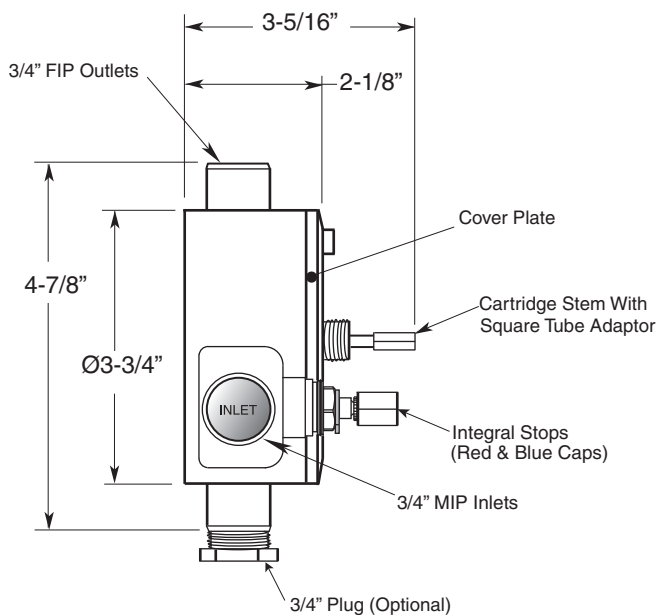
### Margaux

#### FEATURES:

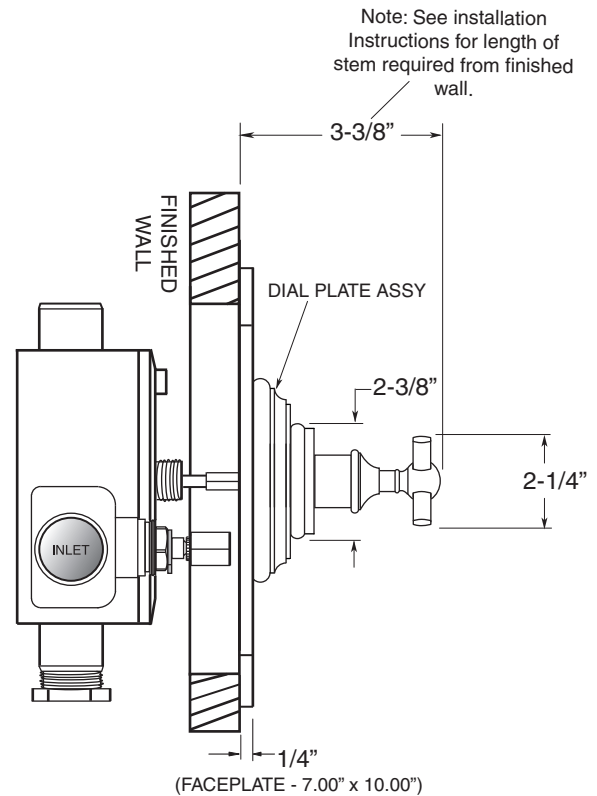
- Cast brass construction
- 3/4" Thermostatic valve w/Integral Stops: 18.30.171
- Thermostatic valve cartridge with cover plate: 18.30.147
- Thermostatic reverse cartridge with cover plate: 18.30.161
- Solid brass dial assembly preset 110° max
- 14.28 GPM @ 56 PSI top exit & 11.10 GPM bottom exit

Note: Separate 3/4" shut-offs required to operate system

Imperial Deluxe  
3/4" Thermostatic with Integral Stops  
7.0315797D  
Cross Handle  
(7.0315797DT Trim Only)



SIDE VIEW - VALVE ONLY



SIDE VIEW - INSTALLED