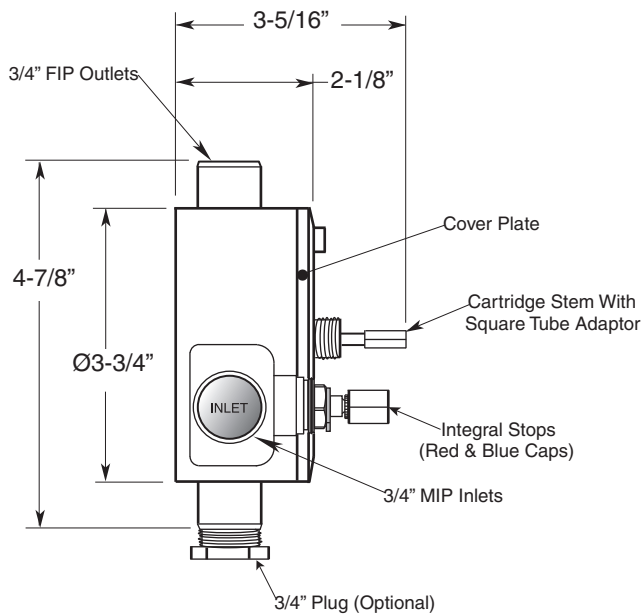


**FEATURES:**

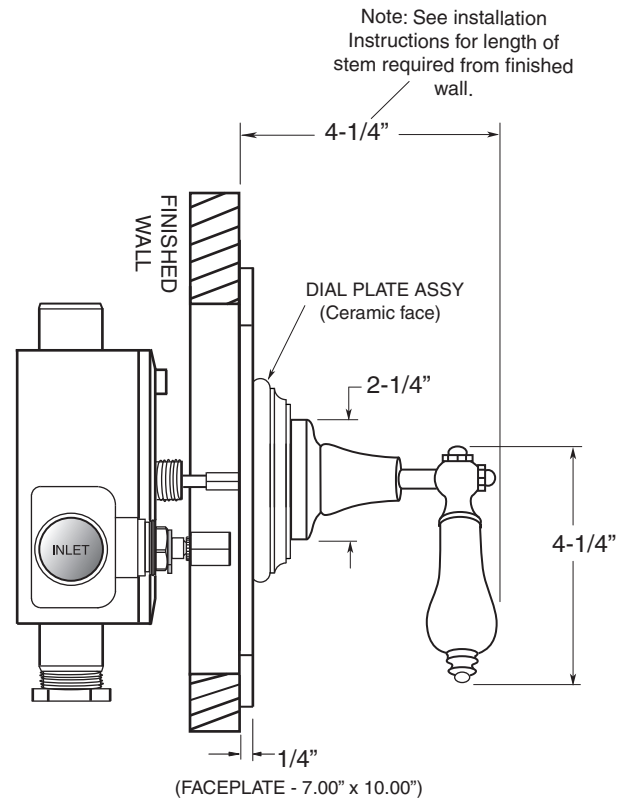
- Cast brass construction
- Thermostatic valve cartridge with cover plate: 18.30.147
- Thermostatic reverse cartridge with cover plate: 18.30.161
- 14.28 GPM @ 56 PSI top exit & 11.10 GPM bottom exit
- Meets: ASME A112.80.0-2005/CSAB125.1-2005

Note: Separate shut-offs required to operate system

Imperial Deluxe  
3/4" Thermostatic with Integral Stops  
7.0346597D  
Porcelain Lever  
(7.0346597DT Trim Only)



**SIDE VIEW - VALVE ONLY**



**SIDE VIEW - INSTALLED**