

TechData

SPECIFICATIONS

Rutherford

FEATURES:

- Cast brass construction
- Thermostatic valve cartridge with cover plate: 18.30.147
- Thermostatic reverse cartridge with cover plate: 18.30.161
- 14.28 GPM @ 56 PSI top exit & 11.10 GPM bottom exit
- Meets: ASME A112.80.0-2005/CSAB125.1-2005

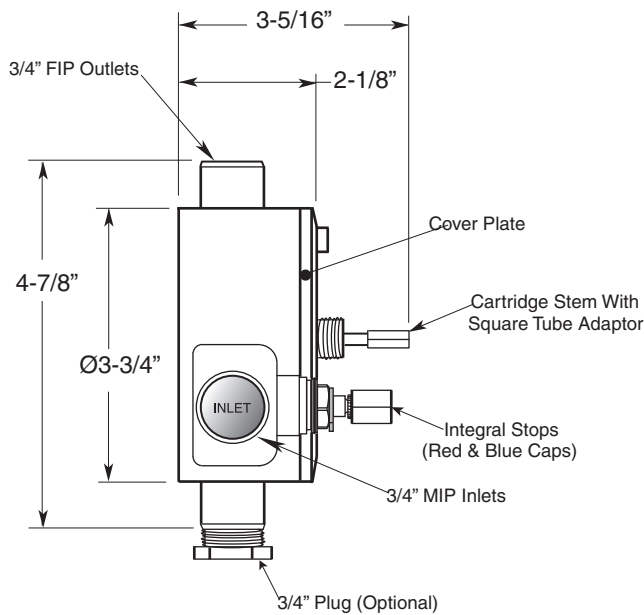
Note: Separate shut-offs required to operate system

Imperial Deluxe
3/4" Thermostatic with Integral Stops

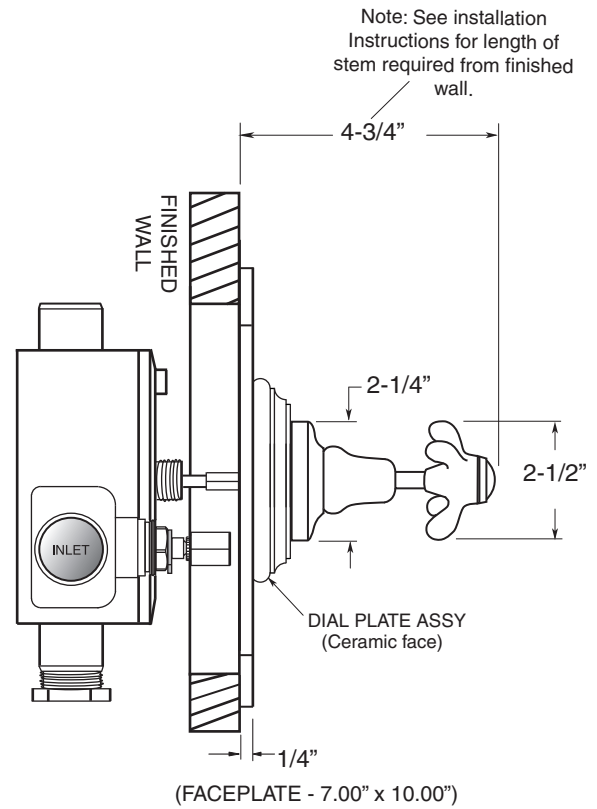
7.0348197D

Drop Cross Handle

(7.0348197DT Trim Only)



SIDE VIEW - VALVE ONLY



SIDE VIEW - INSTALLED