

TechData

SPECIFICATIONS

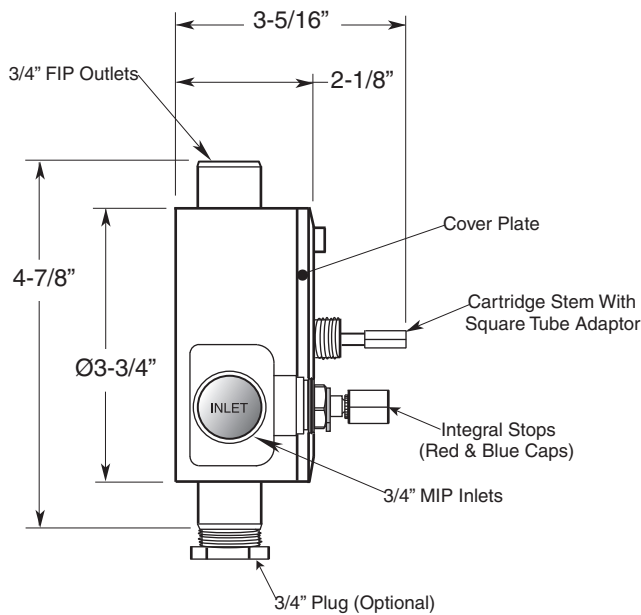
Rutherford

FEATURES:

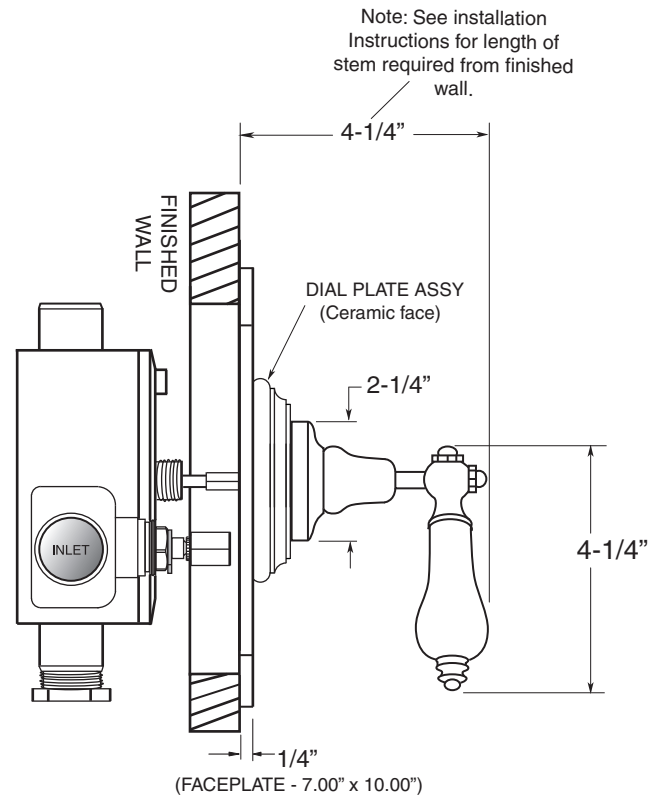
- Cast brass construction
- 3/4" Thermostatic valve w/Integral Stops: 18.30.171
- Thermostatic valve cartridge with cover plate: 18.30.147
- Thermostatic reverse cartridge with cover plate: 18.30.161
- 14.28 GPM @ 56 PSI top exit & 11.10 GPM bottom exit

Note: Separate 3/4" shut-offs required to operate system

Imperial Deluxe
3/4" Thermostatic with Integral Stops
7.0348597D
Porcelain Lever
(7.0348597DT Trim Only)



SIDE VIEW - VALVE ONLY



SIDE VIEW - INSTALLED

Note: Measurements are subject to change or cancellation. No responsibility is assumed for use of superseded or voided pages.