

TechData

SPECIFICATIONS

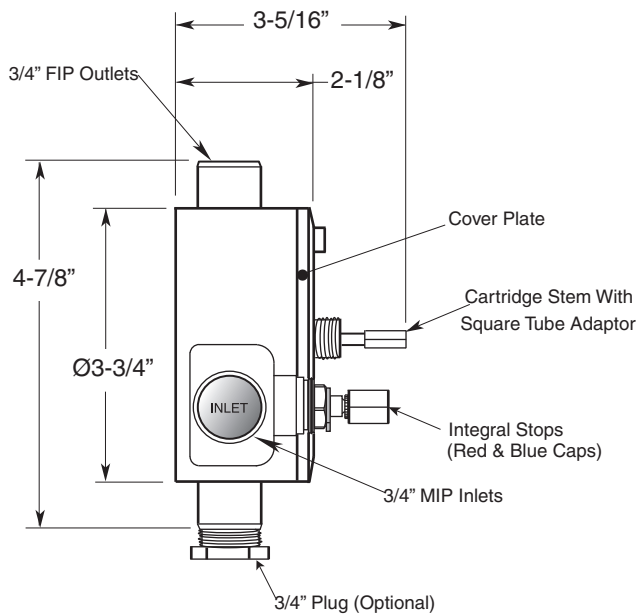
Rutherford

Imperial Deluxe
3/4" Thermostatic with Integral Stops
7.0348697D
Finial Lever
(7.0348697DT Trim Only)

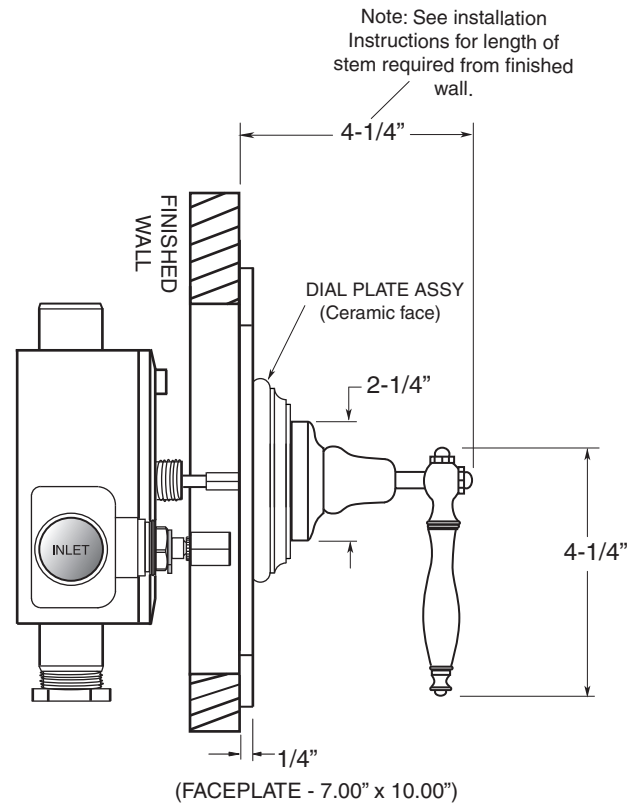
FEATURES:

- Cast brass construction
- Thermostatic valve cartridge with cover plate: 18.30.147
- Thermostatic reverse cartridge with cover plate: 18.30.161
- 14.28 GPM @ 56 PSI top exit & 11.10 GPM bottom exit
- Meets: ASME A112.80.0-2005/CSAB125.1-2005

Note: Separate shut-offs required to operate system



SIDE VIEW - VALVE ONLY



SIDE VIEW - INSTALLED

Note: Measurements are subject to change or cancellation. No responsibility is assumed for use of superseded or voided pages.