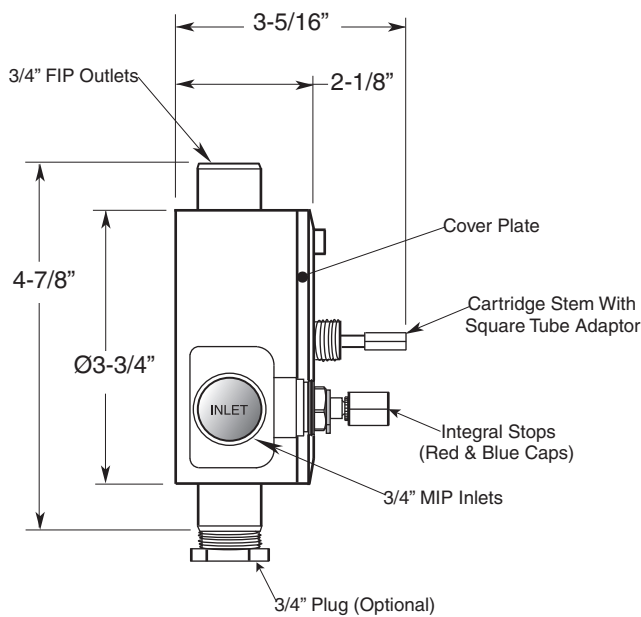


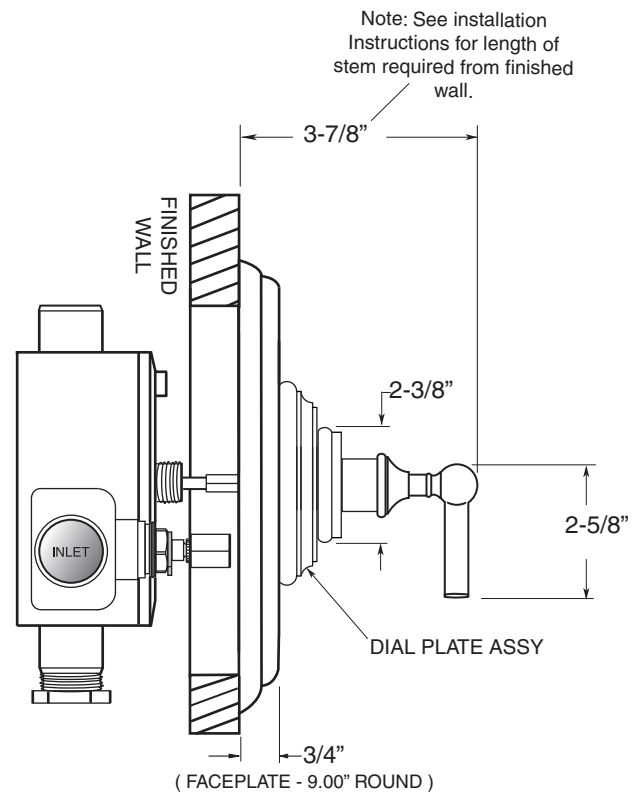
FEATURES:

- Cast brass construction
 - Solid brass dial assembly preset @ 110° Max.
 - 3/4" Thermostatic valve w/Integral Stops: 18.30.171
 - Thermostatic valve cartridge with cover plate: 18.30.147
 - Thermostatic reverse cartridge with cover plate: 18.30.161
 - 14.28 GPM @ 56 PSI top exit & 11.10 GPM bottom exit
- Note: Separate 3/4" shut-offs required to operate system

3/4" Thermostatic with Integral Stops
Deluxe Trim Plate
7.0415897D
Straight Lever
(7.0415897DT Trim Only)



SIDE VIEW - VALVE ONLY



SIDE VIEW - INSTALLED