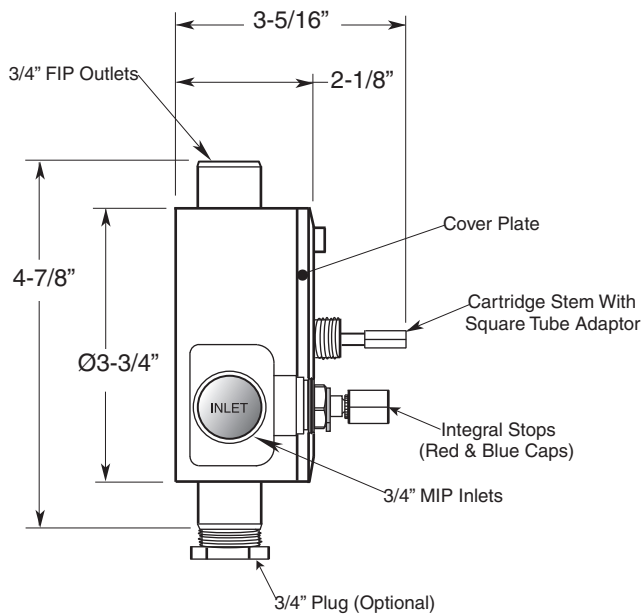


FEATURES:

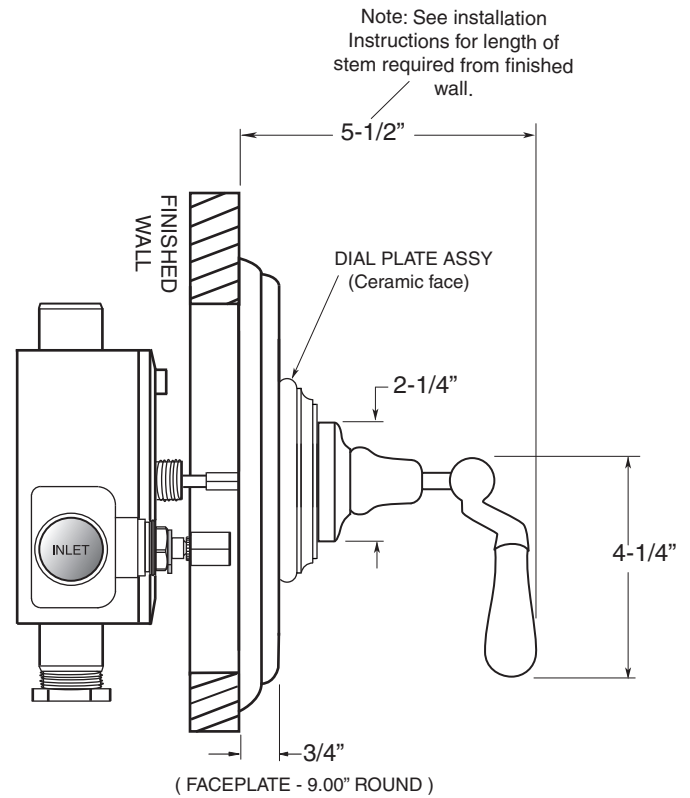
- Cast brass construction
- 3/4" Thermostatic valve w/Integral Stops: 18.30.171
- Thermostatic valve cartridge with cover plate: 18.30.147
- Thermostatic reverse cartridge with cover plate: 18.30.161
- 14.28 GPM @ 56 PSI top exit & 11.10 GPM bottom exit

Note: Separate 3/4" shut-offs required to operate system

Deluxe Trim
3/4" Thermostatic with Integral Stops
7.0448297D
Offset Lever
(7.0448297DT Trim Only)



SIDE VIEW - VALVE ONLY



SIDE VIEW - INSTALLED

Note: Measurements are subject to change or cancellation. No responsibility is assumed for use of superseded or voided pages.