

TechData

SPECIFICATIONS

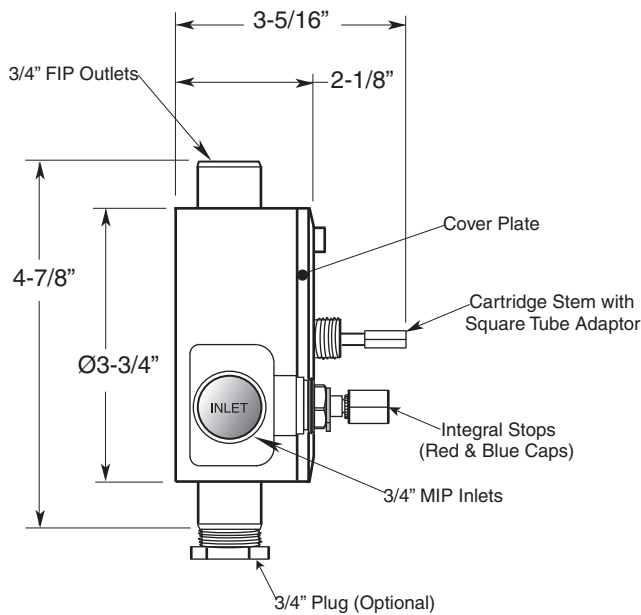
Rutherford

FEATURES:

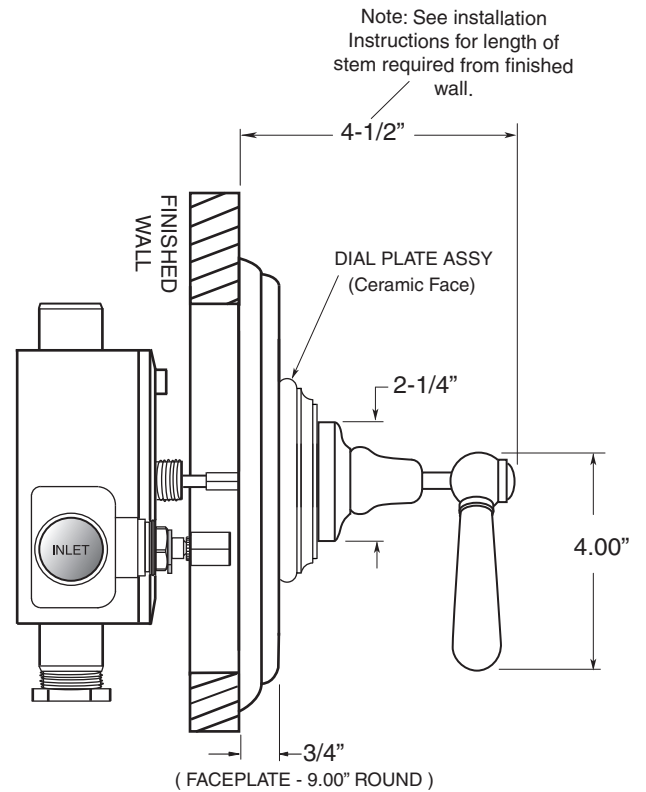
- Cast brass construction
- Thermostatic valve cartridge with cover plate: 18.30.147
- Thermostatic reverse cartridge with cover plate: 18.30.161
- 14.28 GPM @ 56 PSI top exit & 11.10 GPM bottom exit
- Meets: ASME A112.80.0-2005/CSAB125.1-2005

Note: Separate shut-offs required to operate system

Deluxe Trim
 3/4" Thermostatic with Integral Stops
 7.0448497D
 Straight Lever
 (7.0448497DT Trim Only)



SIDE VIEW - VALVE ONLY



SIDE VIEW - INSTALLED

Note: Measurements are subject to change or cancellation. No responsibility is assumed for use of superseded or voided pages.