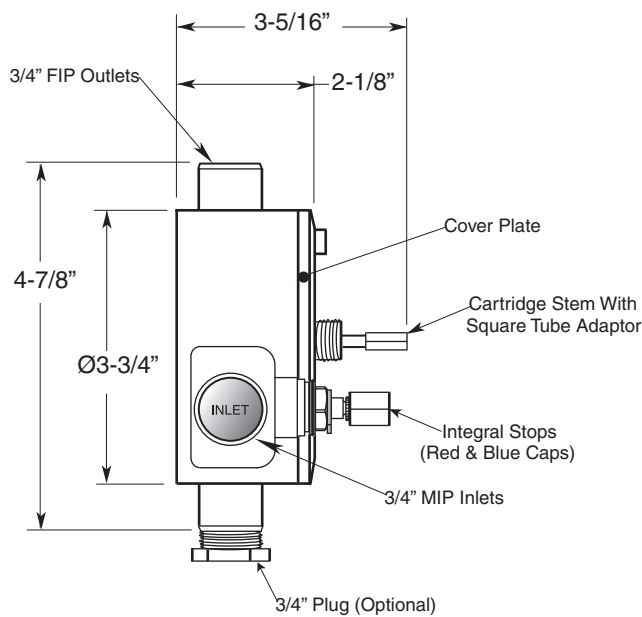


**FEATURES:**

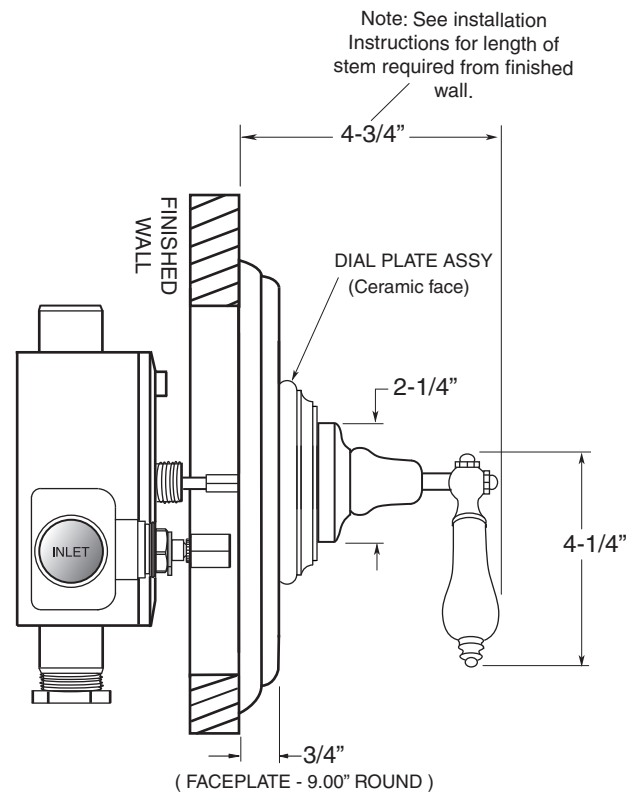
- Cast brass construction
- 3/4" Thermostatic valve w/Integral Stops: 18.30.171
- Thermostatic valve cartridge with cover plate: 18.30.147
- Thermostatic reverse cartridge with cover plate: 18.30.161
- 14.28 GPM @ 56 PSI top exit & 11.10 GPM bottom exit

Note: Separate 3/4" shut-offs required to operate system

Deluxe Trim  
3/4" Thermostatic with Integral Stops  
7.0448597D  
Porcelain Lever  
(7.0448597DT Trim Only)



**SIDE VIEW - VALVE ONLY**



**SIDE VIEW - INSTALLED**