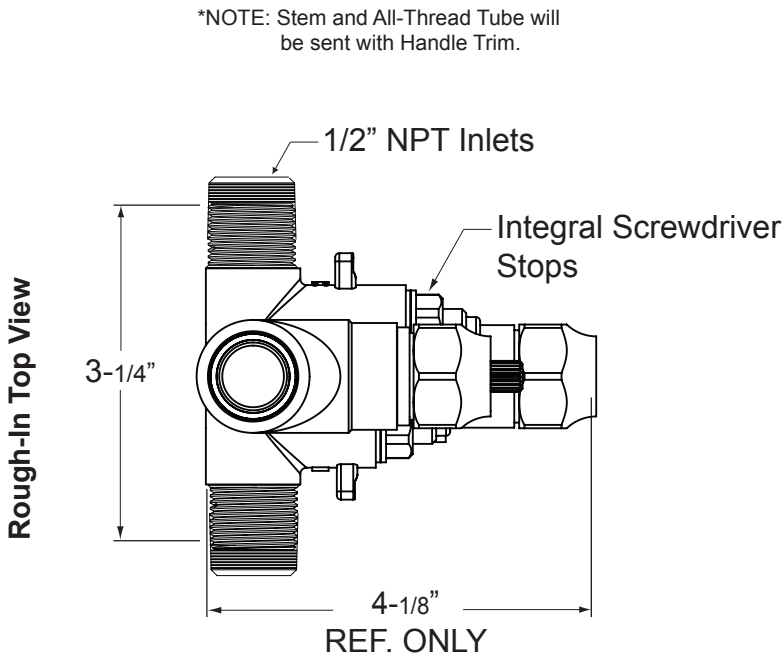
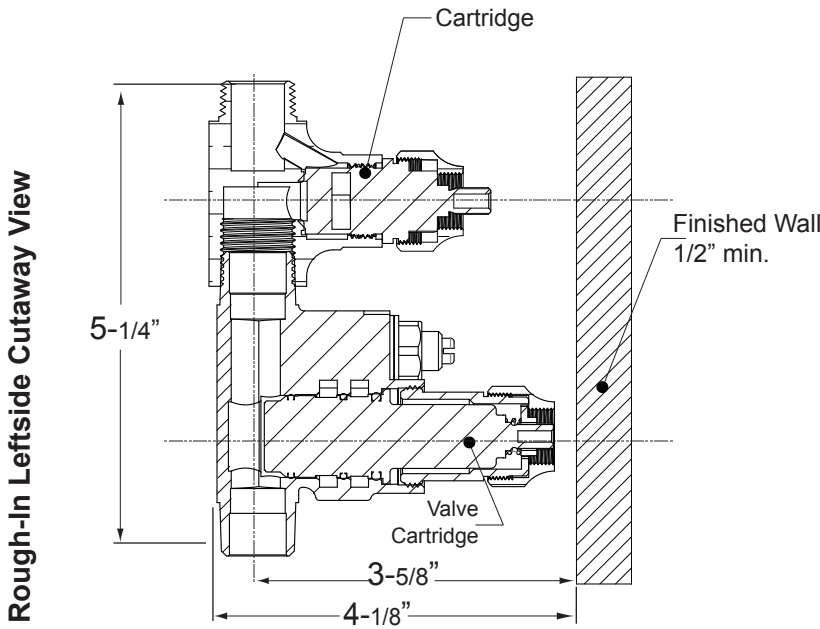


Features:

- Forged Brass Construction
- Adjustable Hot Limit Safety Stop with Push-In Override
- Thermostatic valve cartridge: 18.30.294
- Cartridge: 18.30.903

• NOTE: Leave cap on the out-port to modify to 18.30.291

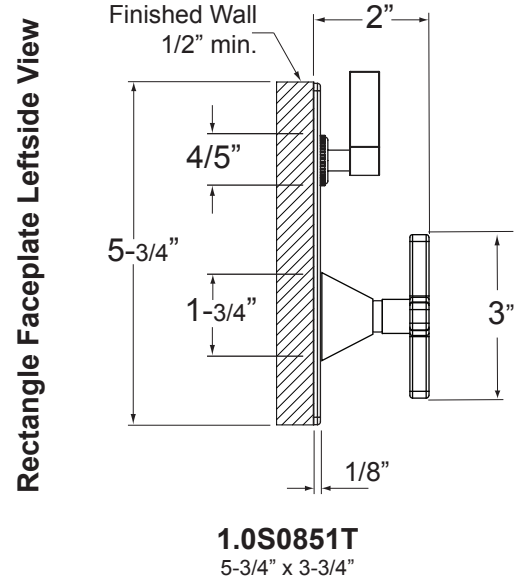


TechData

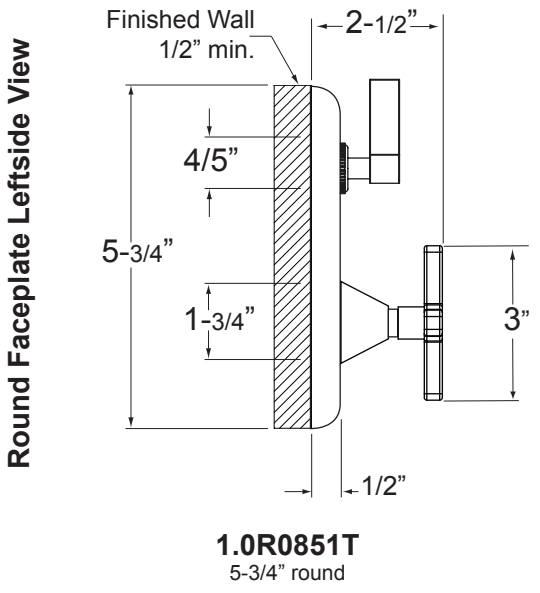
SPECIFICATIONS

Stella X

E-Mini Therm Valve
Remote Thermostatic Valve
w/Volume Control
18.30.291



NOTE: MUST purchase Showerhead, Arm, Flange, and other options separately.



NOTE: Measurements are subject to change or cancellation. No responsibility is assumed for use of superseded or voided pages.

Features:

- Forged Brass Construction
- Adjustable Hot Limit Safety Stop with Push-In Override
- Flow capacity / Diverter - 4.5 GPM / 45 psi
- E-mini thermostatic cartridge 18.30.294
- Diverter cartridge 18.30.903

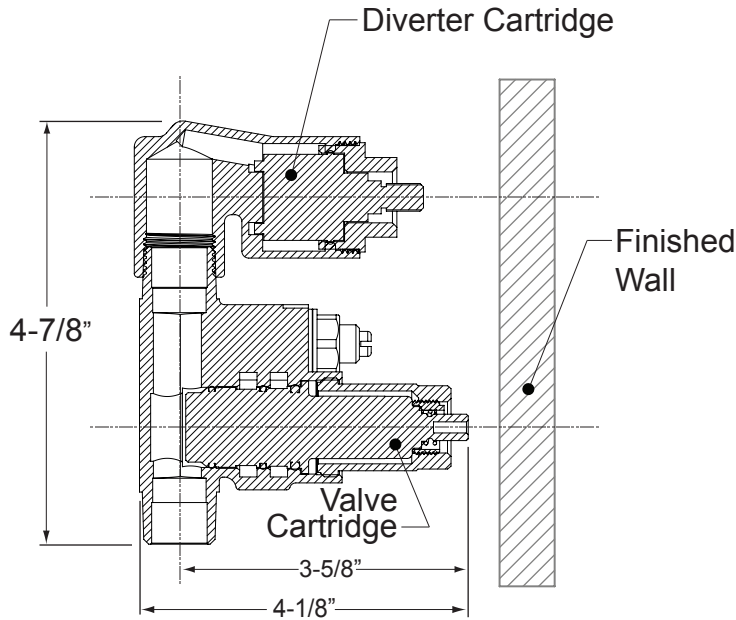
TechData

SPECIFICATIONS

Stella X

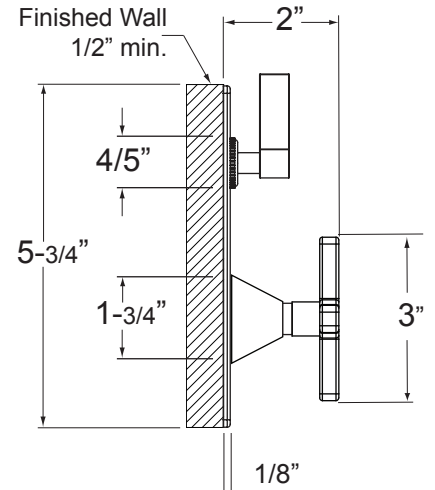
E-Mini Therm Valve
Remote Thermostatic Valve
with Two-Way Diverter
18.30.292

Rough-In Leftside Cutaway View



*NOTE: Stem and All-Thread Tube will be sent with Handle Trim.

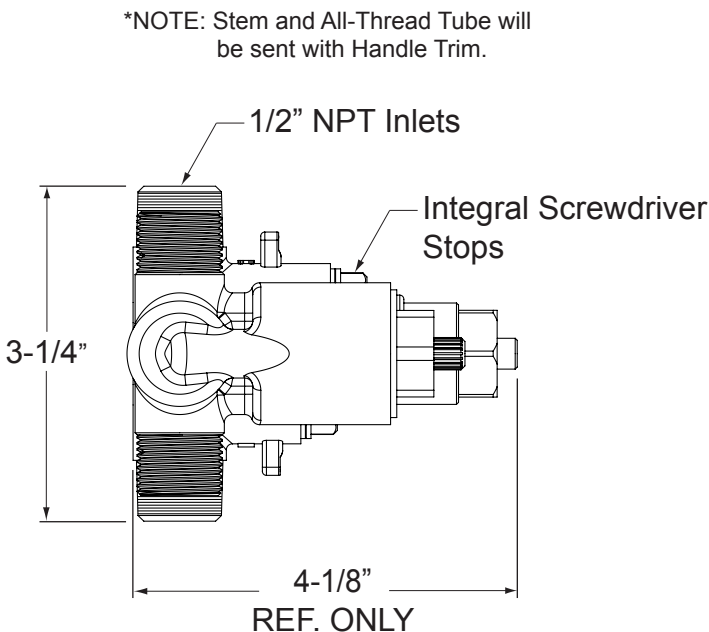
Rectangle Faceplate Leftside View



1.0S0851T
5-3/4" x 3-3/4"

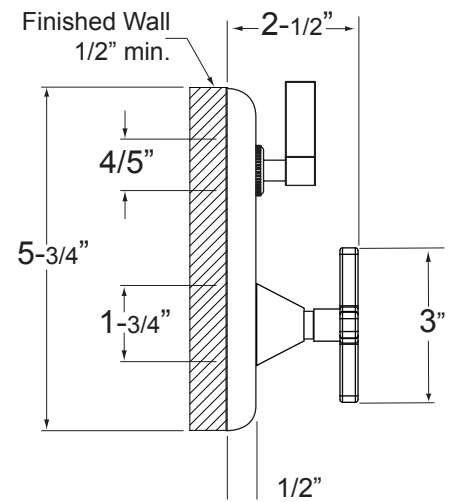
NOTE: MUST purchase Showerhead, Arm, Flange, and other options separately.

Rough-In Top View



*NOTE: Stem and All-Thread Tube will be sent with Handle Trim.

Round Faceplate Leftside View



1.0R0851T
5-3/4" round

NOTE: Measurements are subject to change or cancellation. No responsibility is assumed for use of superseded or voided pages.