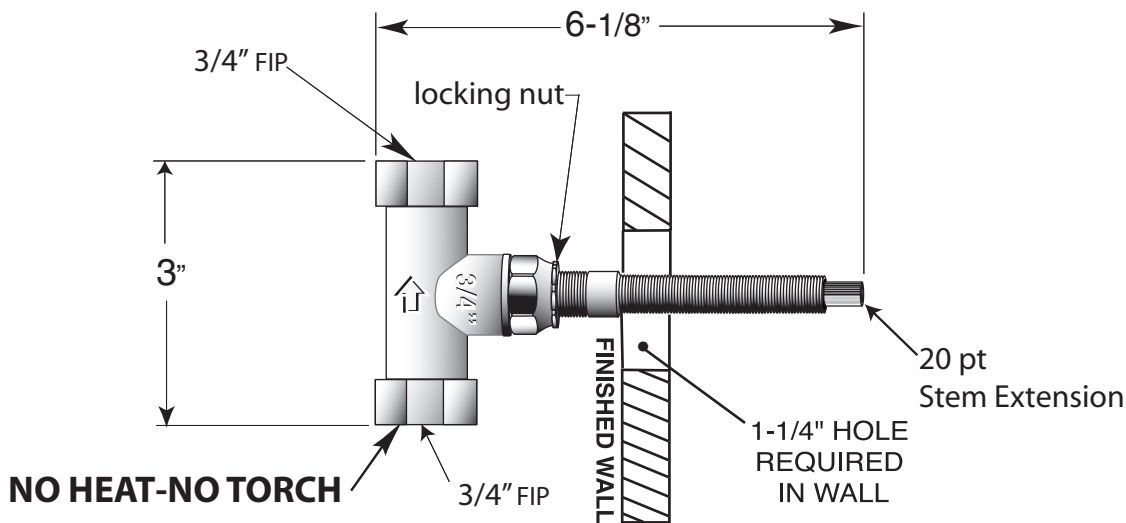
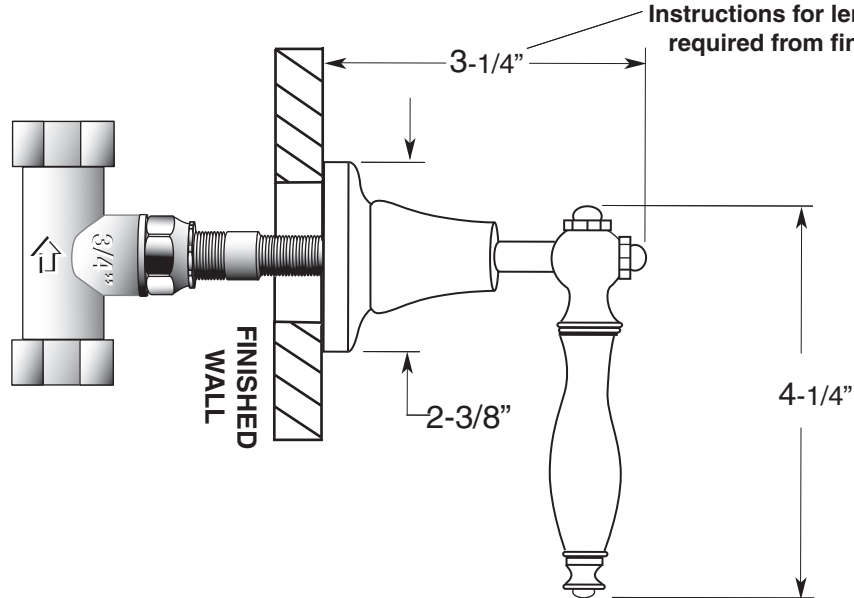


FEATURES:

- All brass construction.
- Replacement cartridge: 18.30.011
- Meets: ASME A112.18.1-2005/CSAB125.1-2005

3/4" Volume Control
Valve and Trim
7.0046684
Finial Lever
(7.0046684T Trim Only)

**Note: See installation
Instructions for length of stem
required from finished wall**



Note: Measurements are subject to change or cancellation. No responsibility is assumed for use of superseded or voided pages.