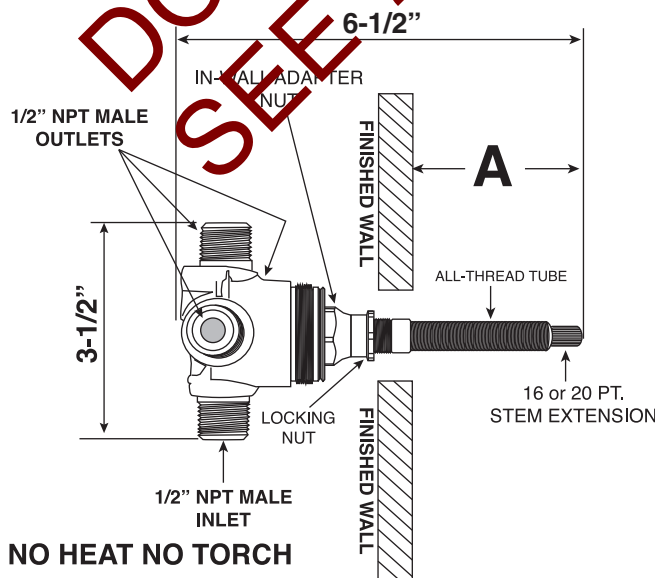
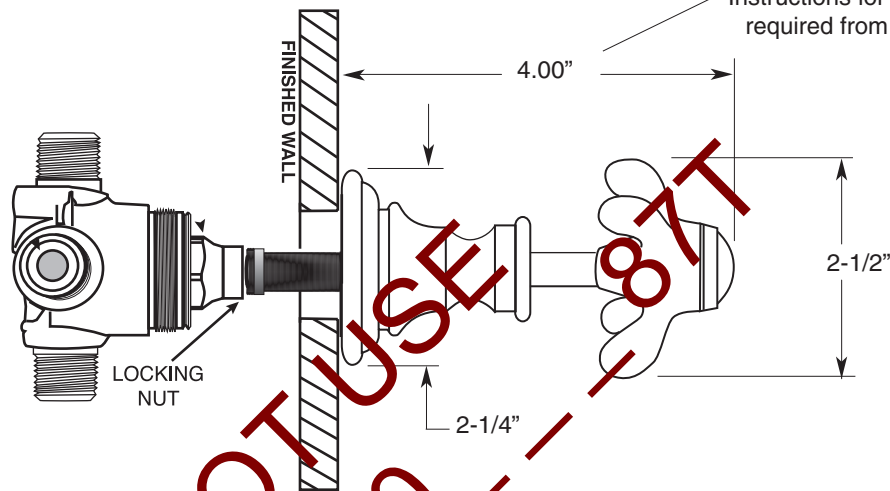


TechData SPECIFICATIONS *Cote d'Or*

- Replacement Cartridge: No. 18.30.259
- One 1/2" inlet & two 1/2" outlets

3 Port In-Wall Diverter
(1 inlet / 2 outlets)
Valve and Trim
7.0002189
Drop Cross Handle
(7.0002189T Trim Only)

Note: See installation
Instructions for length of stem
required from finished wall



Note: Measurements are subject to change or cancellation. No responsibility is assumed for use of superseded or voided pages.