

# TechData SPECIFICATIONS Margaux

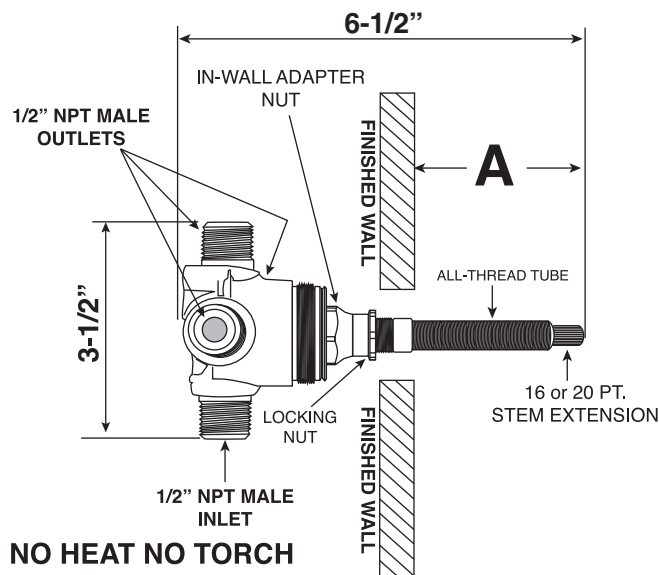
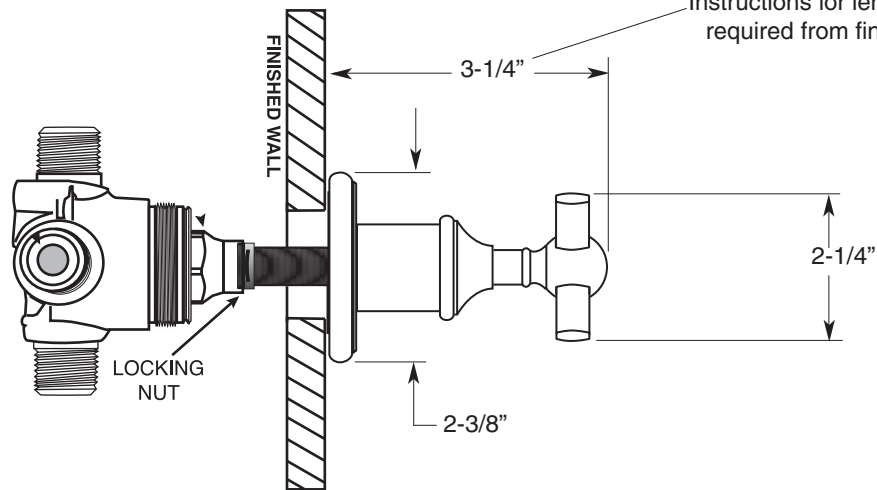
## FEATURES:

This product meets and exceeds the following codes and standards:

- ASME A112.18.1/CSA B125.1-2011
- Replacement Cartridge: No. 18.30.259
- One 1/2" inlet & two 1/2" outlets

3 Port In-Wall Diverter  
(1 inlet / 2 outlets)  
Valve and Trim  
7.0015789  
Cross Handle  
(7.0015789T Trim Only)

Note: See installation  
Instructions for length of stem  
required from finished wall



Note: Measurements are subject to change or cancellation. No responsibility is assumed for use of superseded or voided pages.