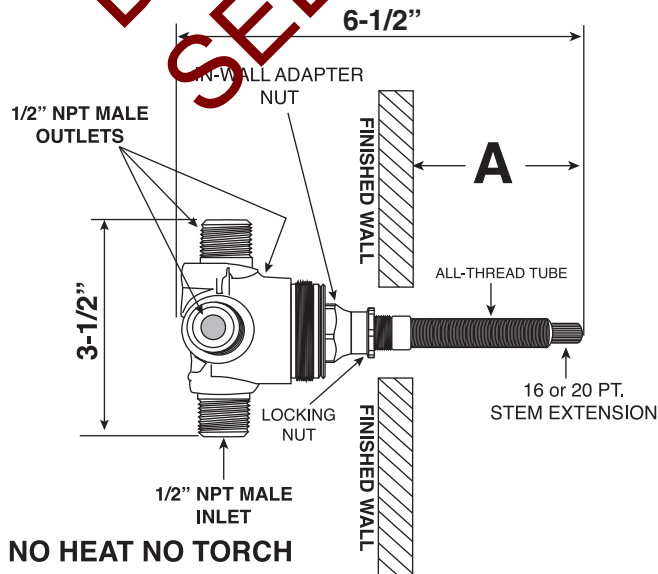
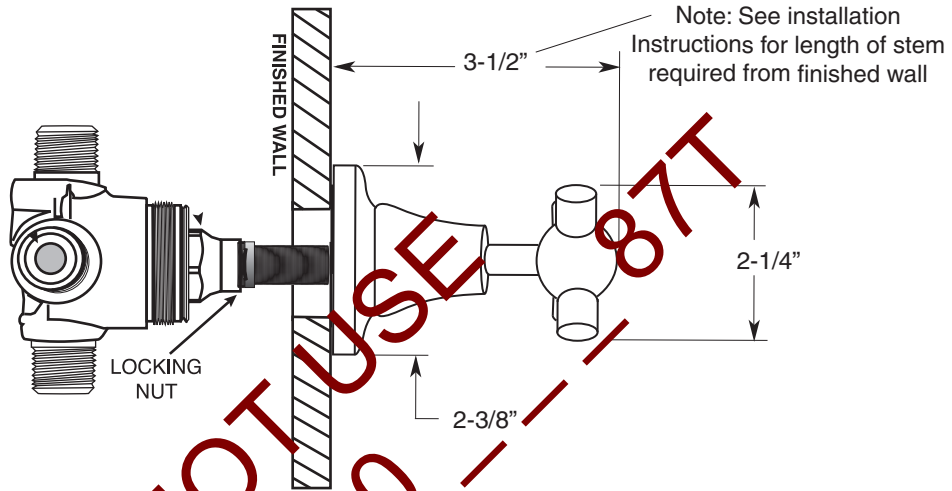


- Replacement Cartridge: No. 18.30.259
- One 1/2" inlet & two 1/2" outlets

# TechData SPECIFICATIONS St. Julien

3 Port In-Wall Diverter  
(1 inlet / 2 outlets)  
Valve and Trim  
7.0046389  
Cross Handle

(7.0046389T Trim Only)



Note: Measurements are subject to change or cancellation. No responsibility is assumed for use of superseded or voided pages.