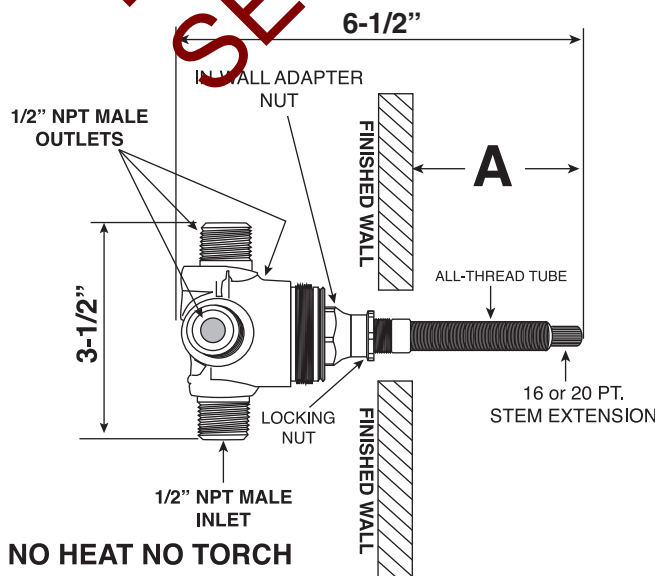
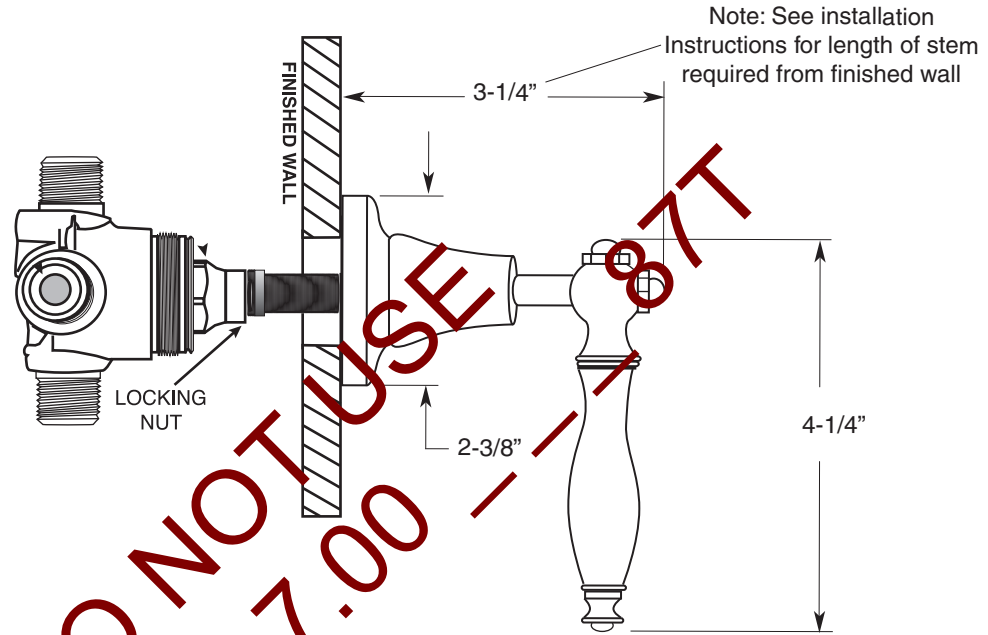


- Replacement Cartridge: No. 18.30.259
- One 1/2" inlet & two 1/2" outlets

TechData SPECIFICATIONS St. Julien

3 Port In-Wall Diverter
(1 inlet / 2 outlets)
Valve and Trim
7.0046689
Finial Lever

(7.0046689T Trim Only)



Note: Measurements are subject to change or cancellation. No responsibility is assumed for use of superseded or voided pages.