

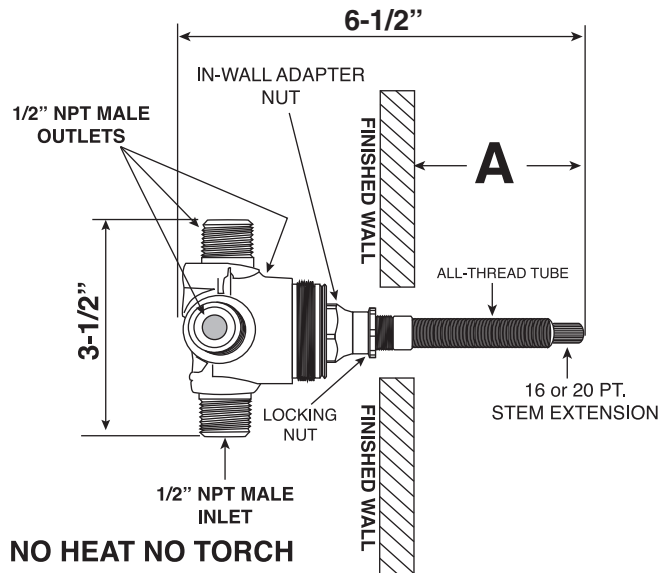
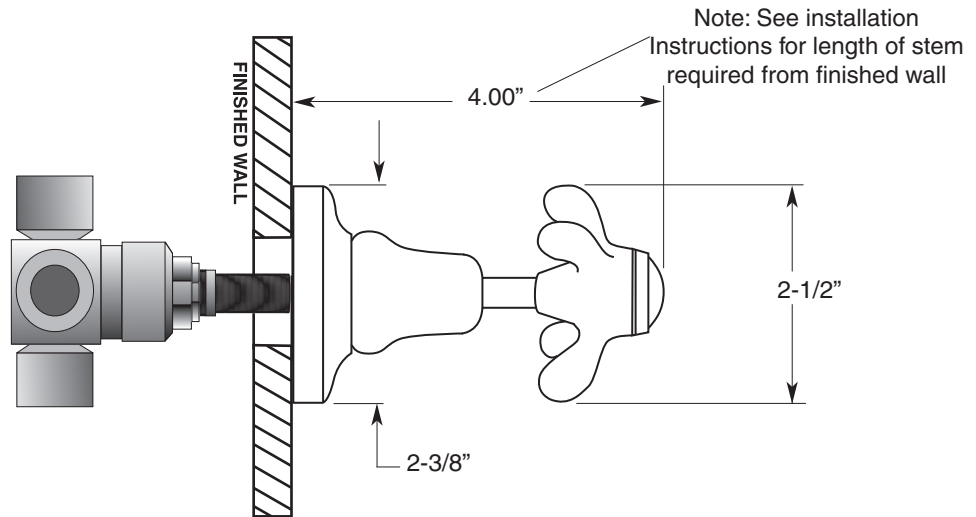
# TechData SPECIFICATIONS Rutherford

**FEATURES:**

This product meets and exceeds the following codes and standards:

- ASME A112.18.1/CSA B125.1-2011
- Replacement Cartridge: No. 18.30.259
- One 1/2" inlet & two 1/2" outlets

3 Port In-Wall Diverter  
(1 inlet / 2 outlets)  
Valve and Trim  
7.0048189  
Drop Cross Handle  
(7.0048189T Trim Only)



Note: Measurements are subject to change or cancellation. No responsibility is assumed for use of superseded or voided pages.