

TechData SPECIFICATIONS Rutherford

FEATURES:

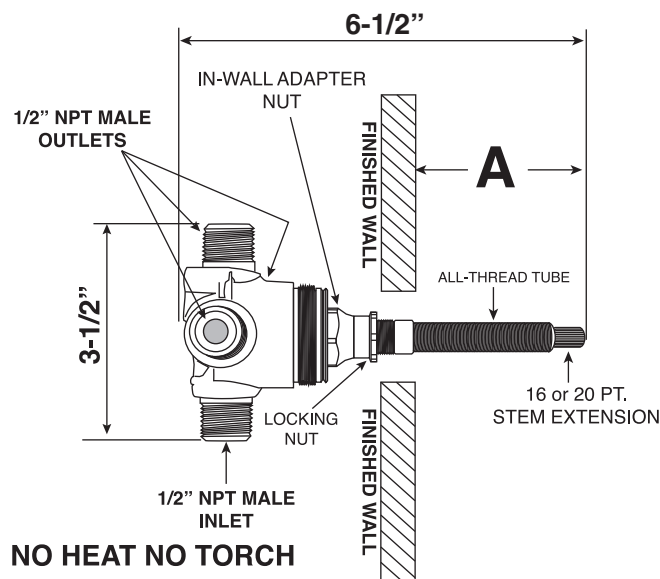
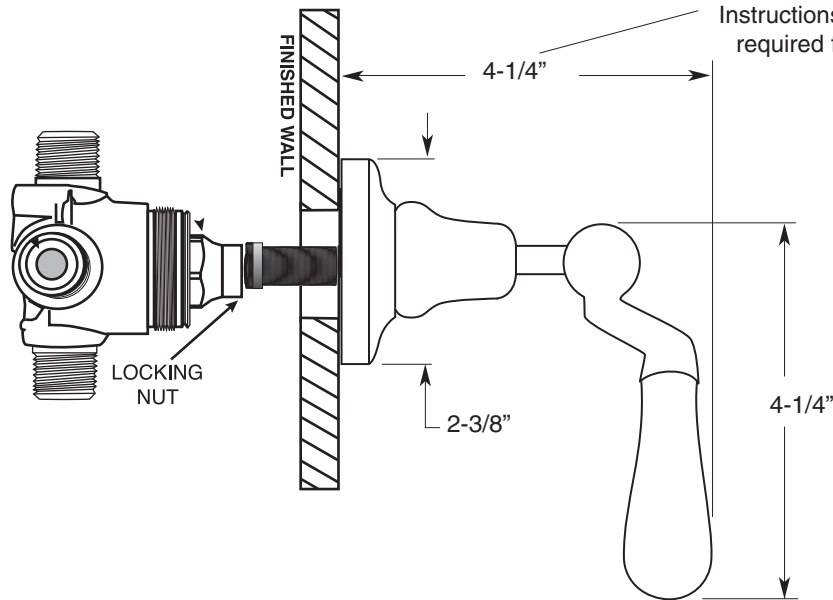
This product meets and exceeds the following codes and standards:

- ASME A112.18.1/CSA B125.1-2011
- Replacement Cartridge: No. 18.30.259
- One 1/2" inlet & two 1/2" outlets

**3 Port In-Wall Diverter
(1 inlet / 2 outlets)
Valve and Trim
7.0048289
Offset Lever**

(7.0048289T Trim Only)

Note: See installation
Instructions for length of stem
required from finished wall



Note: Measurements are subject to change or cancellation. No responsibility is assumed for use of superseded or voided pages.