

TechData SPECIFICATIONS Rutherford

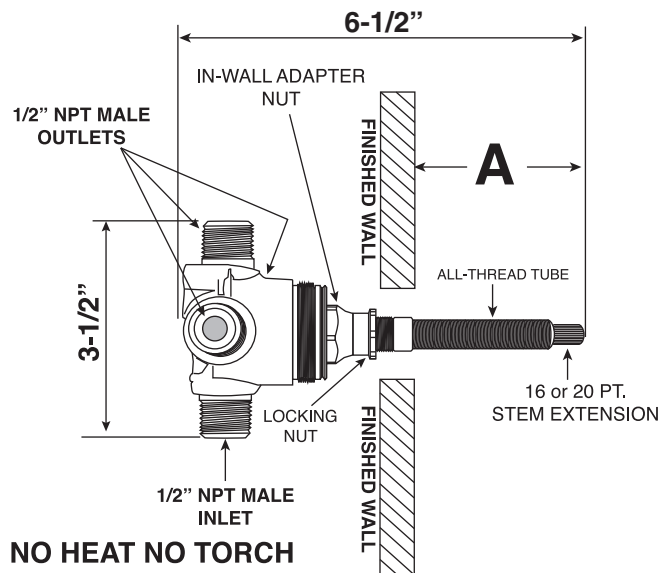
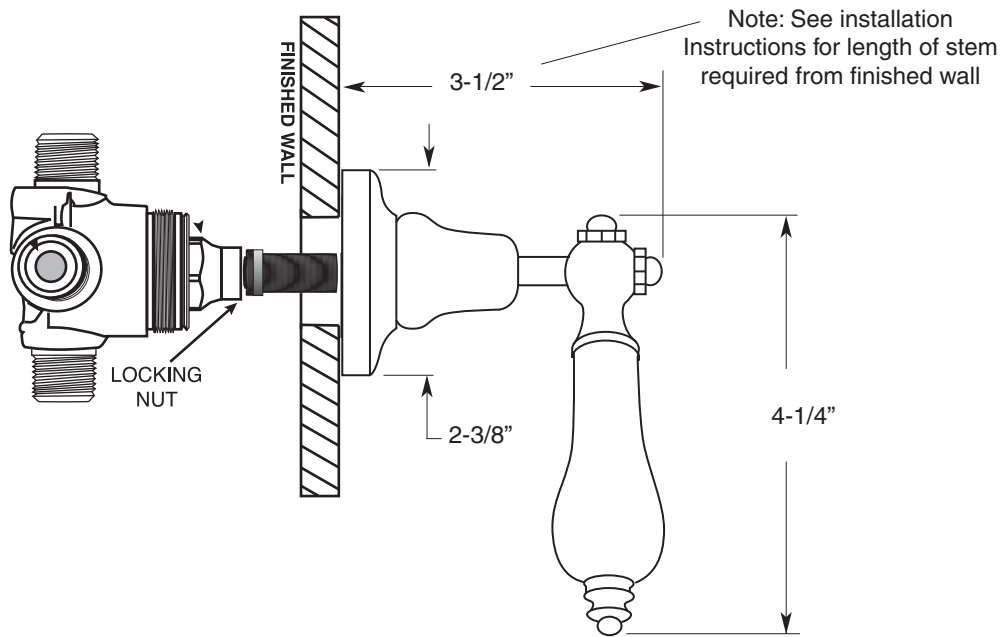
FEATURES:

This product meets and exceeds the following codes and standards:

- ASME A112.18.1/CSA B125.1-2011
- Replacement Cartridge: No. 18.30.259
- One 1/2" inlet & two 1/2" outlets

3 Port In-Wall Diverter
(1 inlet / 2 outlets)
Valve and Trim
7.0048589
Porcelain Lever

(7.0048589T Trim Only)



Note: Measurements are subject to change or cancellation. No responsibility is assumed for use of superseded or voided pages.