

TechData

SPECIFICATIONS

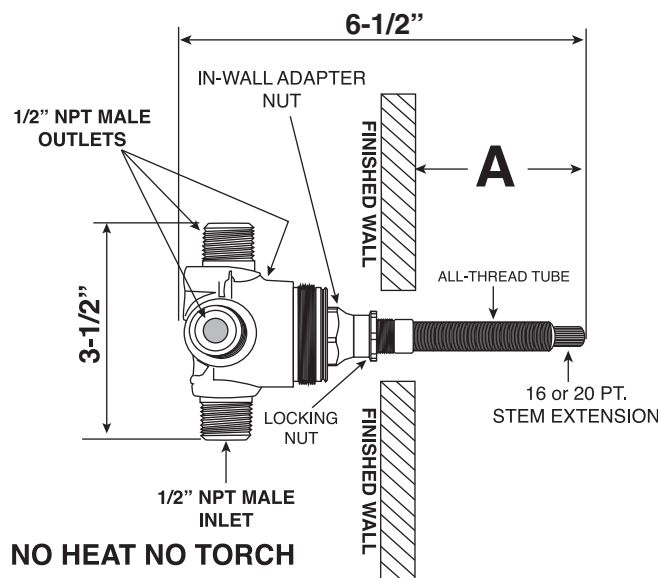
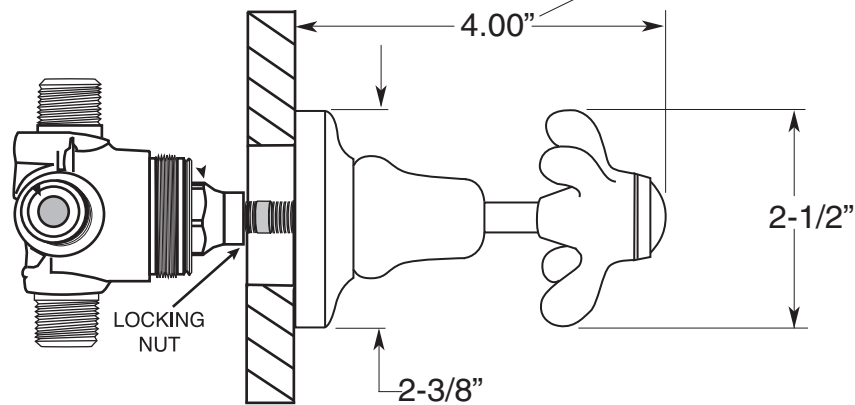
Rutherford

FEATURES:

- All brass construction.
- One 1/2" inlets and three 1/2" outlets
- Replacement cartridge: 18.30.257
- Meets: ASME A112.18.1/CSA B125.1-2011

4 Port In-Wall Diverter
(1 inlet / 3 outlets)
Valve and Trim
7.0048186
Drop Cross Handle
(7.0048186T Trim Only)

Note: See installation
Instructions for length of stem
required from finished wall



Note: Measurements are subject to change or cancellation. No responsibility is assumed for use of superseded or voided pages.

Parts List
Rutherford

4 Port In-Wall Diverter

7.0048186
(1 inlet / 3 outlets)

