

# TechData

## SPECIFICATIONS

# Rutherford

- All brass construction.
- One 1/2" inlets and three 1/2" outlets
- Replacement cartridge: 18.30.257

4 Port In-Wall Diverter

(1 inlet / 3 outlets)

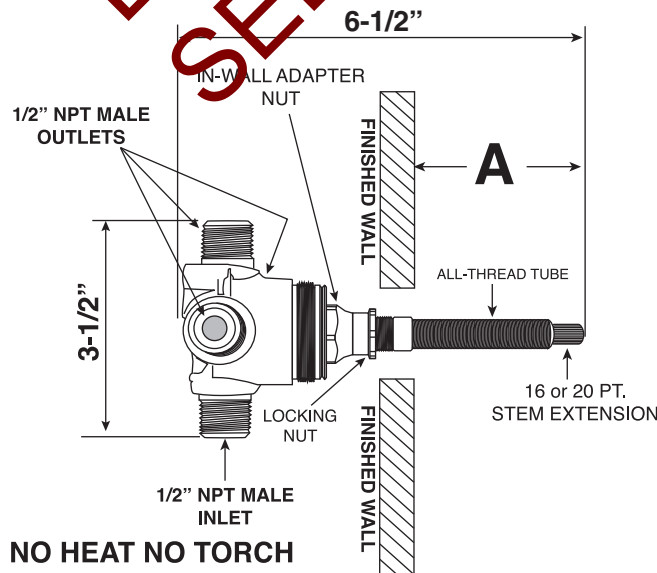
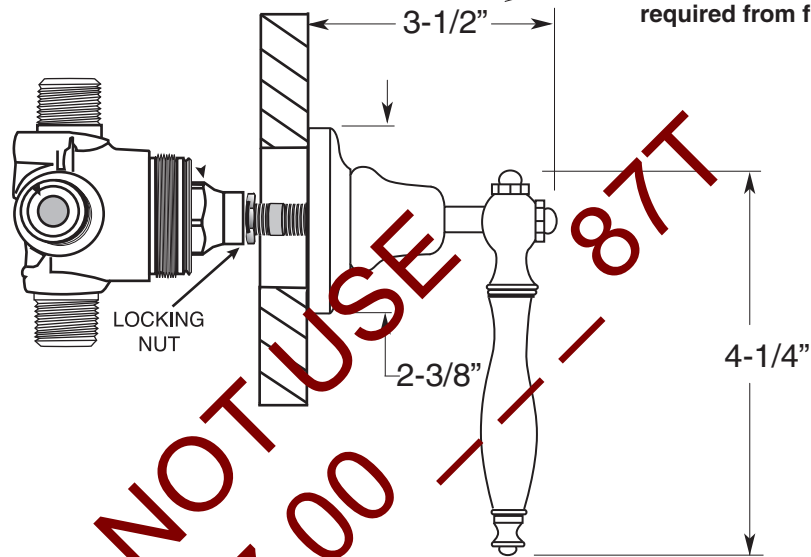
Valve and Trim

7.0048686

Finial Lever

(7.0048686T Trim Only)

Note: See installation  
Instructions for length of stem  
required from finished wall



Note: Measurements are subject to change or cancellation. No responsibility is assumed for use of superseded or voided pages.