

TechData

Specifications

Reserve

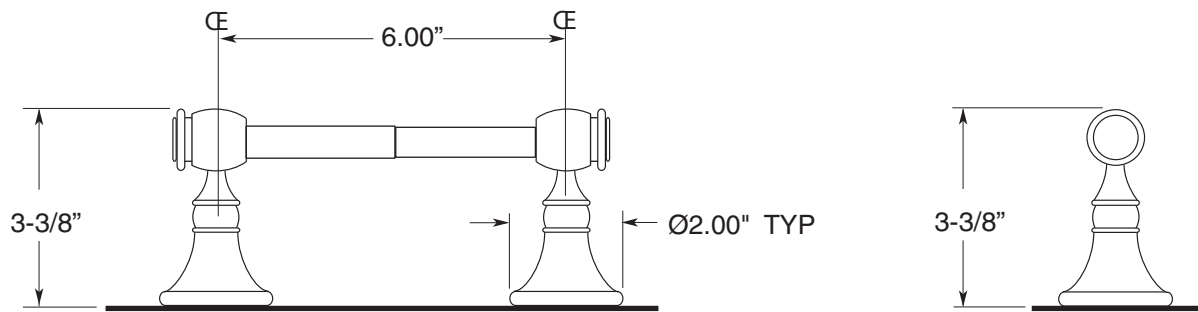
Collection

FEATURES:

- All brass construction
- Available in all finishes. Warranty varies according to finish selection.
- Mounting bracket and screws are supplied.

Paper Holder with
Brackets

7.56PH00



Note: Measurements are subject to change or cancellation. No responsibility is assumed for use of superseded or voided pages.