

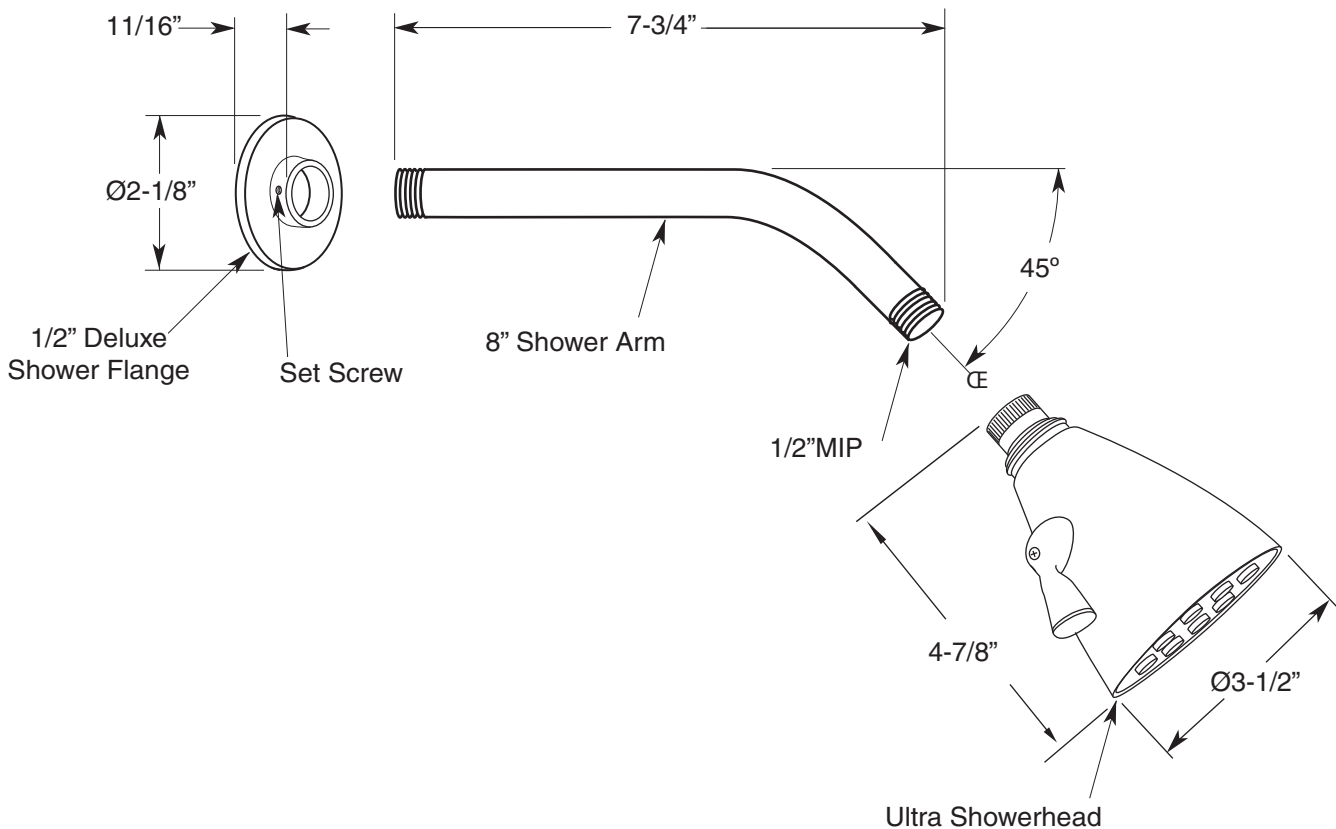
Reserve  
Collection

Ultra Showerhead with  
8" Arm & Deluxe Flange

78.10.505

**FEATURES:**

- All brass construction
- Ultra 8 plunger showerhead with swivel connection showerhead P/N: 18.10.060
- 8" extended shower arm P/N: 18.10.043
- 1/2" Deluxe shower flange P/N: 18.10.102
- 1.8 gpm flow restrictor installed.
- Available in all finishes. Warranty varies according to finish selection.



Note: Measurements are subject to change or cancellation. No responsibility is assumed for use of superseded or voided pages.