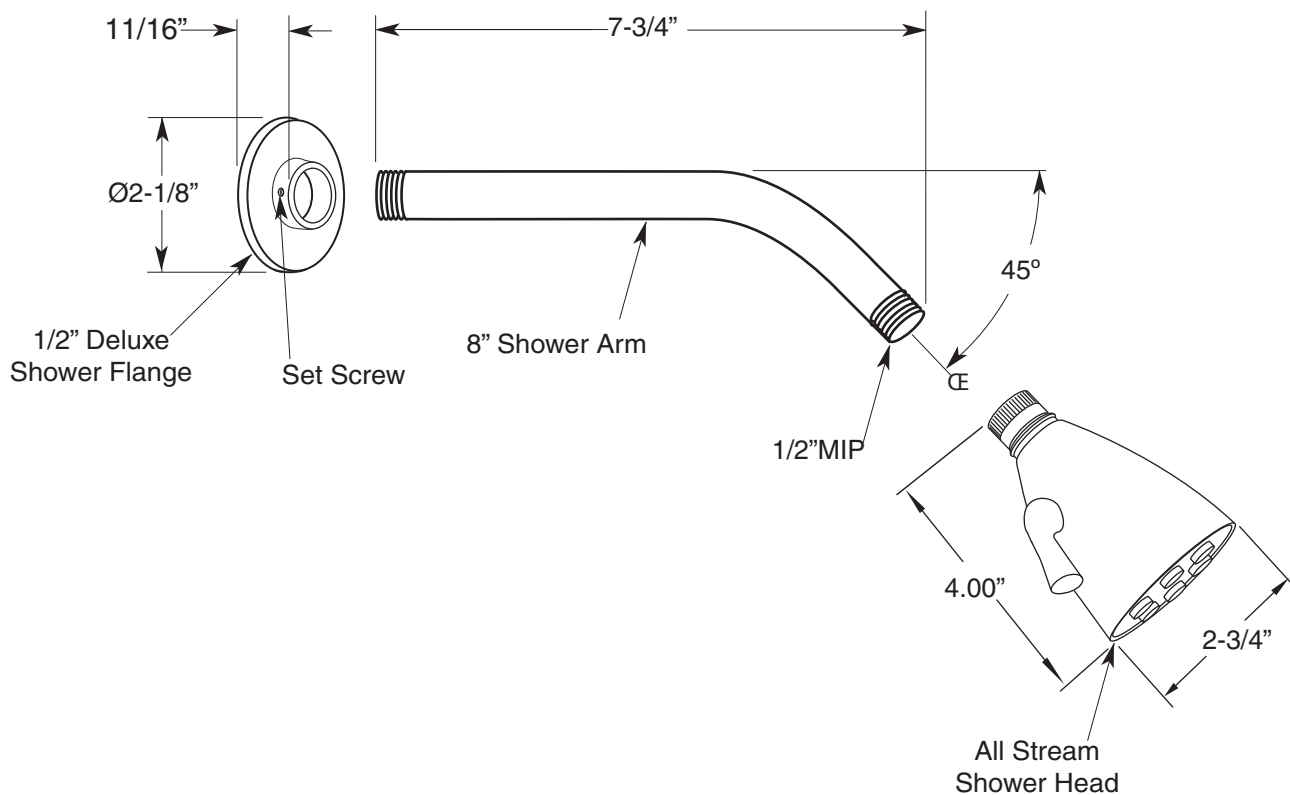


FEATURES:

- All brass construction
- 6 Plunger spray nozzle, swivel connection showerhead
P/N: 18.10.024
- 8" extended shower arm P/N: 18.10.043
- 1/2" Deluxe shower flange P/N: 18.10.102
- 2.5 gpm flow restrictor installed
- Available in all finishes. Warranty varies according to finish selection.
- Meets: ASME A112.18.1- 2005 / CSA B125 1-2005

All-Stream Showerhead with
8" Arm & Deluxe Flange

78.10.500



Note: Measurements are subject to change or cancellation. No responsibility is assumed for use of superseded or voided pages.