

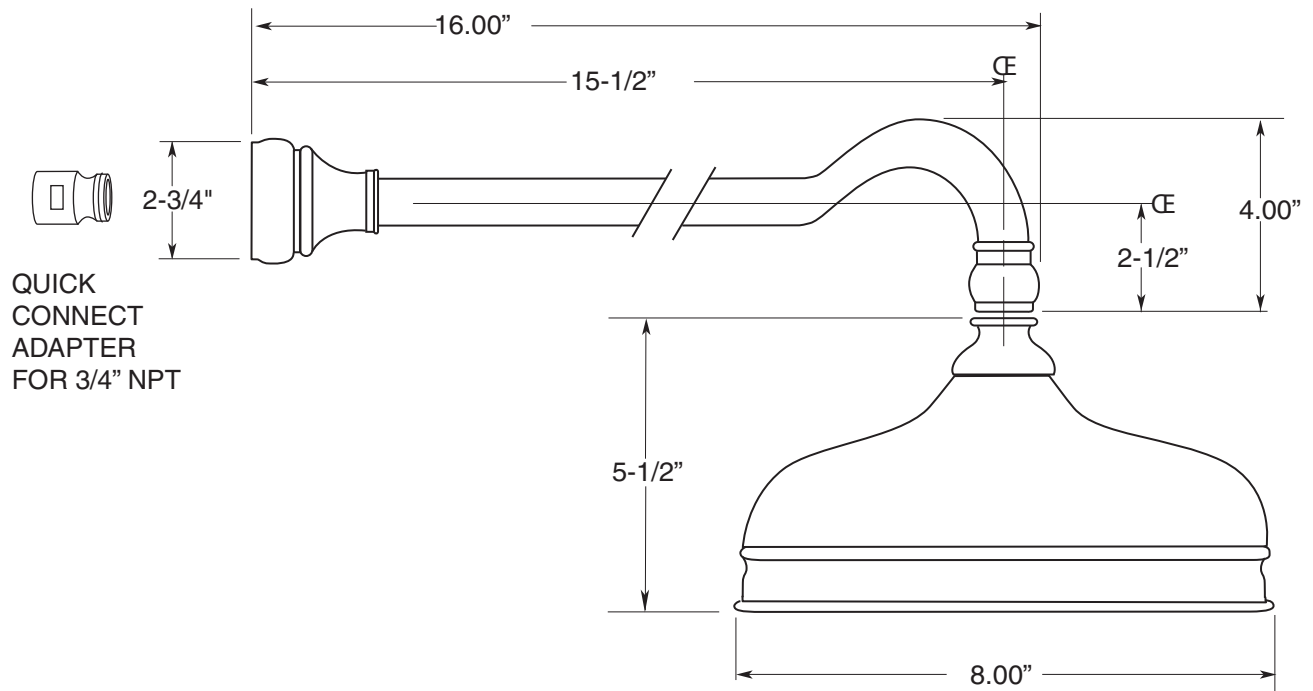
TechData
Specifications
Reserve
Collection

8" Rainhead with
Curved Shower Arm

78.10.525

FEATURES:

- All brass construction
- Available in all finishes. Warranty varies according to finish selection.
- Swivel connector available PN: APS.10.082
- Certified to meet and exceed the following codes and standards:
ASME A112.18.1-2005/CSAB125.1-2005



Note: Measurements are subject to change or cancellation. No responsibility is assumed for use of superseded or voided pages.