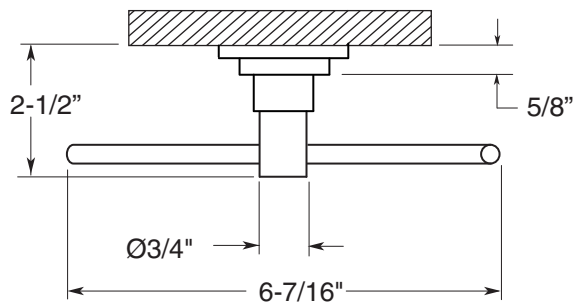


FEATURES:

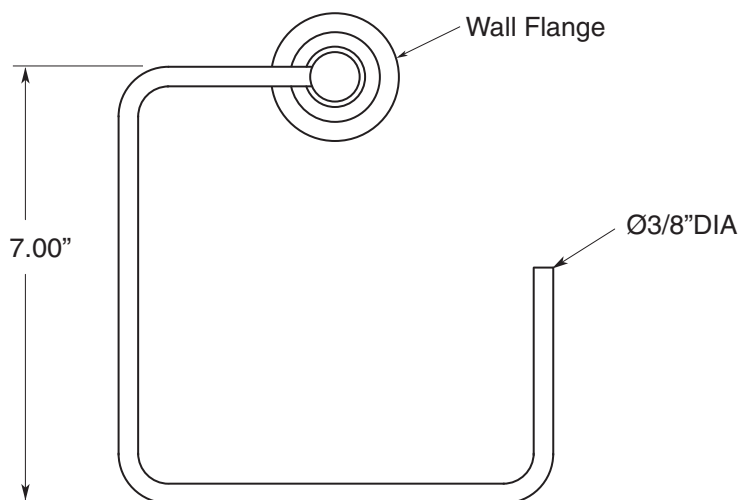
- Available in True Brushed Stainless Steel - only.
- Mounting bracket and screws are supplied.

Square Towel Holder
with Brackets
True Brushed Stainless Steel

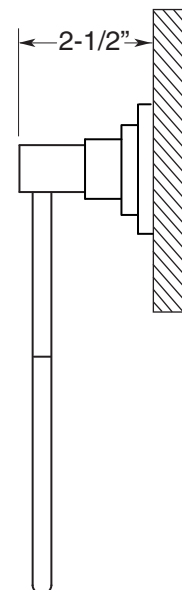
7.21TR00



TOP VIEW



FRONT VIEW



SIDE VIEW

Note: Measurements are subject to change or cancellation. No responsibility is assumed for use of superseded or voided pages.