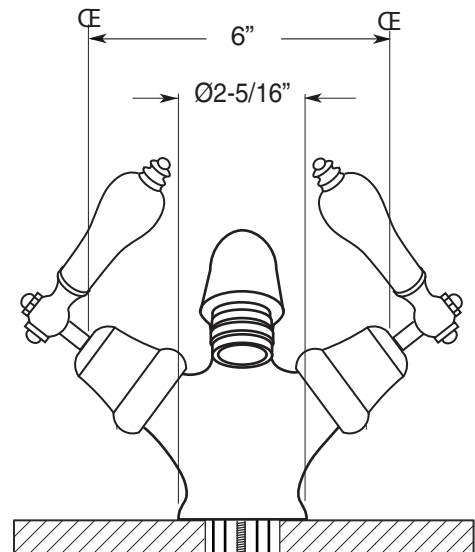
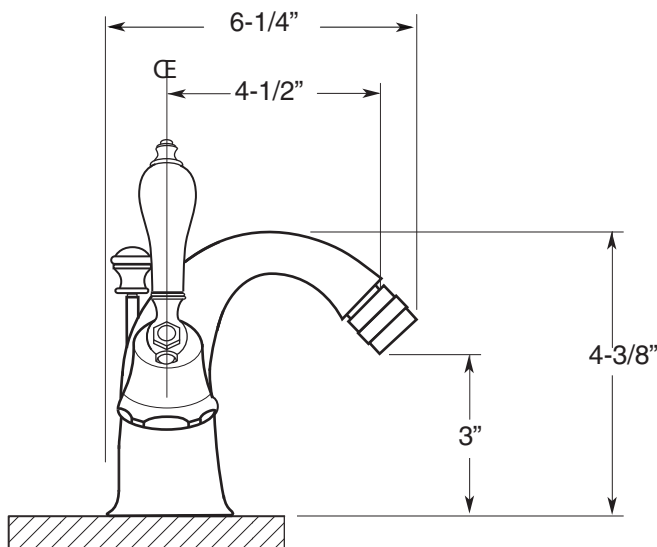


FEATURES:

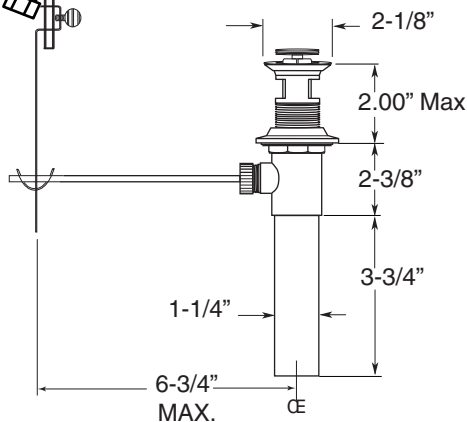
- All brass construction
- Includes pop-up drain assembly with overflow. P/N 18.11.041
- Swivel aerator
- 12" Stainless steel flex lines are supplied
- Maximum deck thickness: 1-1/2"
- Replacement cartridge: 18.30.035-cold, 18.30.036-hot
- Available in all finishes. Warranty varies according to finish selection.
- Meets: ASME A112.18.1/CSA B125.1-2011

Single Hole Bidet
(485) Porcelain Lever
7.0048595



NOTE: Allow 1-1/4" diameter hole for installation

3/8"x 12" S.S. Flex
Connectors



Note: Measurements are subject to change or cancellation. No responsibility is assumed for use of superseded or voided pages.