

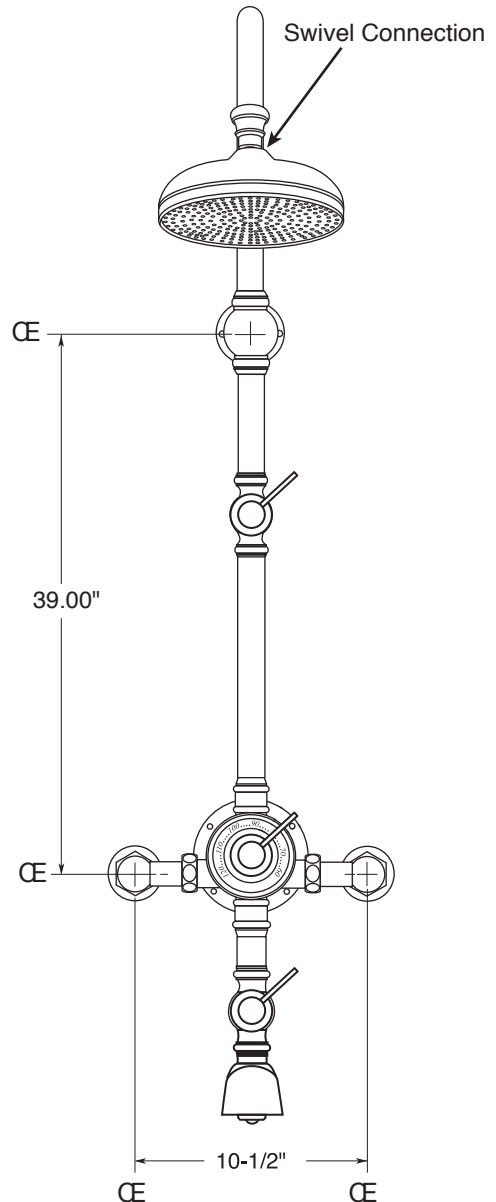
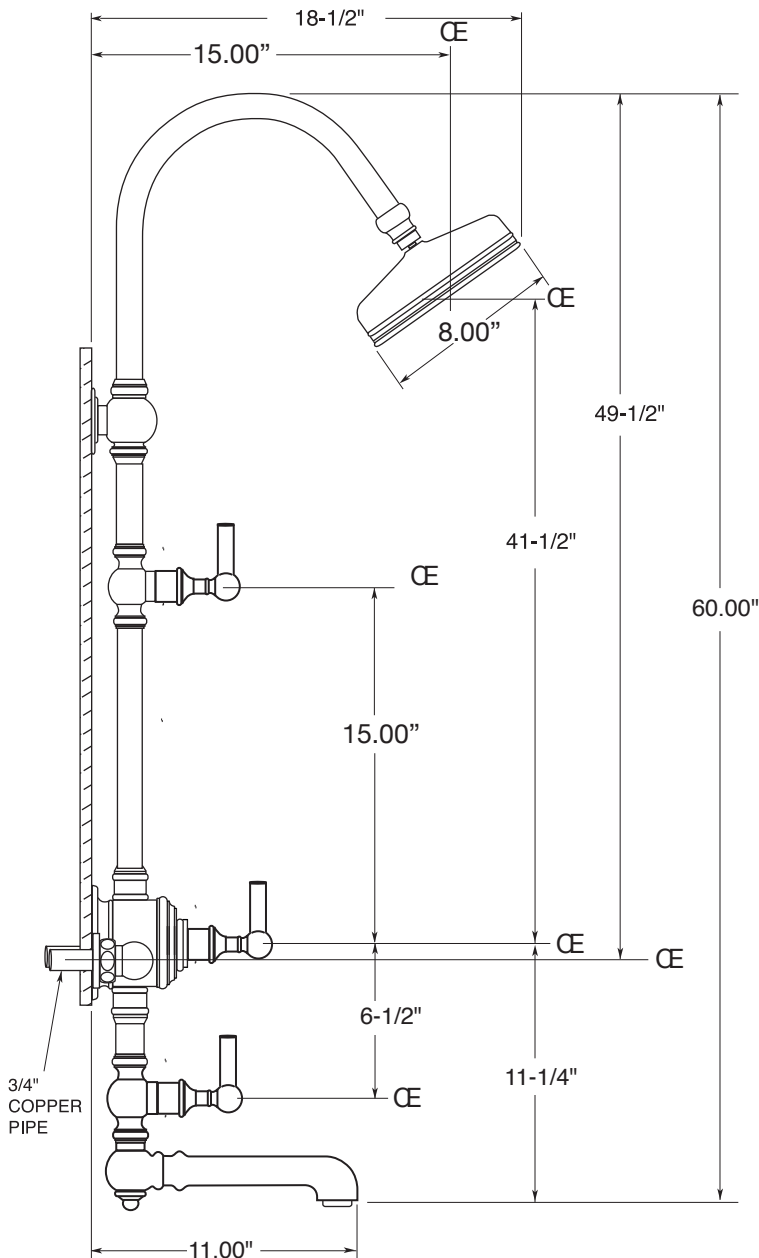
Exposed Thermostatic
Tub and Shower Set

FEATURES:

- All brass construction.
- Solid brass dial assembly preset @ 110 Max.
- Thermostatic valve cartridge P/N: 18.30.176
- Available in all finishes. Warranty varies according to finish selection.
- Meets: ASME A112.18.1/CSAB 125.1-2012
- **NOTE:** Do not rough out without copper rough-in guide. Guide will be sent ahead upon request.

(158) Brass Lever

7.00158870



Note: Measurements are subject to change. No responsibility is assumed for use of superseded or voided pages.