

FEATURES:

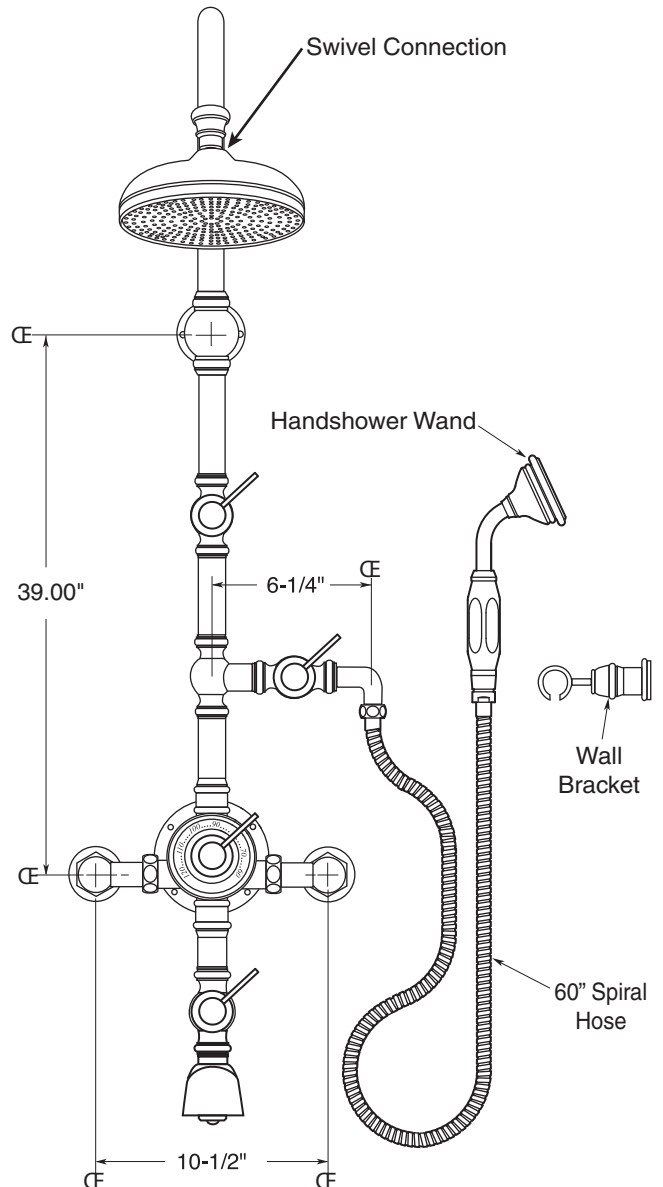
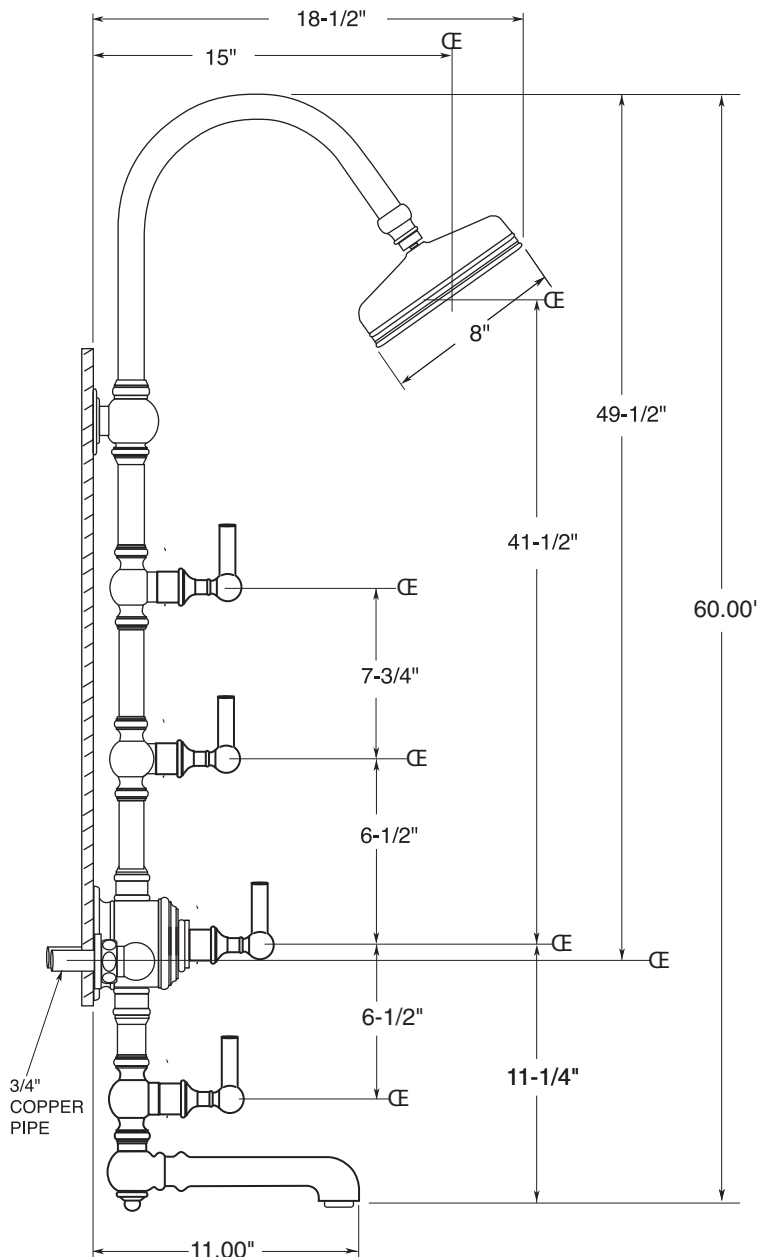
- All brass construction.
- Solid brass dial assembly preset @110 Max.
- Thermostatic valve cartridge P/N: 18.30.176
- Porcelain handshower wand P/N: 18.10.205
- 60" Spiral Hose supplied P/N: 18.10.016
- Available in all finishes. Warranty varies according to finish selection.
- Meets: ASME A112.18.1-2005/CSAB125.1-2005

• NOTE: Do not rough out without copper rough-in guide. Guide will be sent ahead upon request.

TechData
SPECIFICATIONS
Reserve
Collection

Exposed Thermostatic
Tub & Shower Set with Handshower
(158) Brass Lever

7.00158880



Note: Measurements are subject to change or cancellation. No responsibility is assumed for use of superseded or voided pages.