

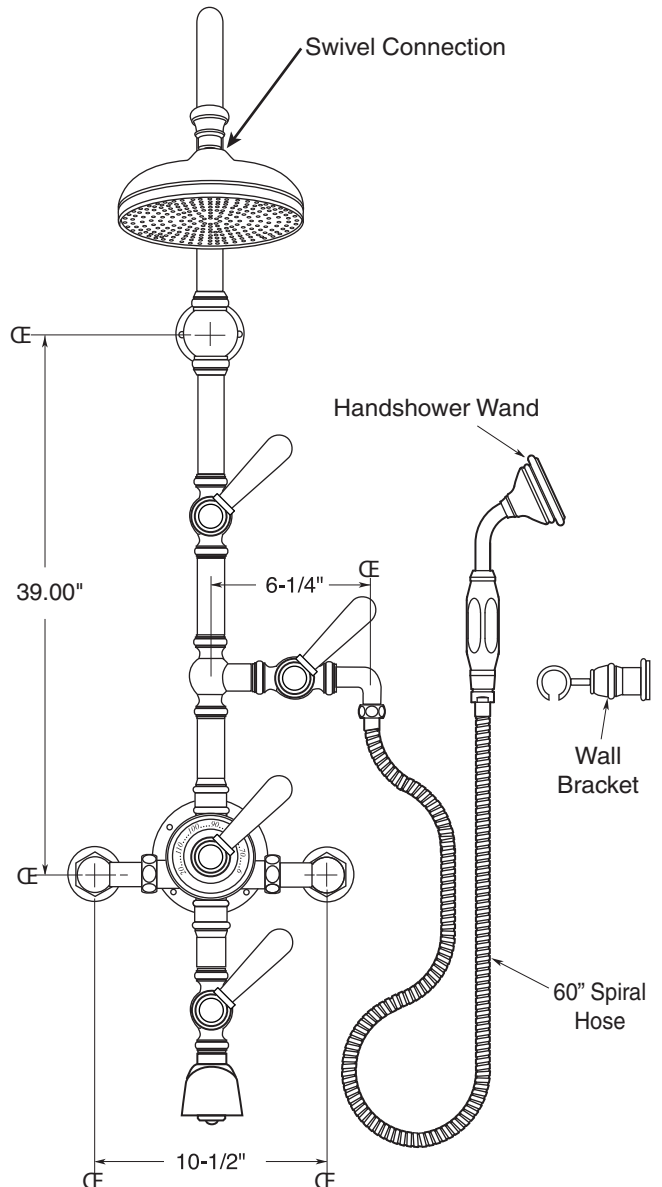
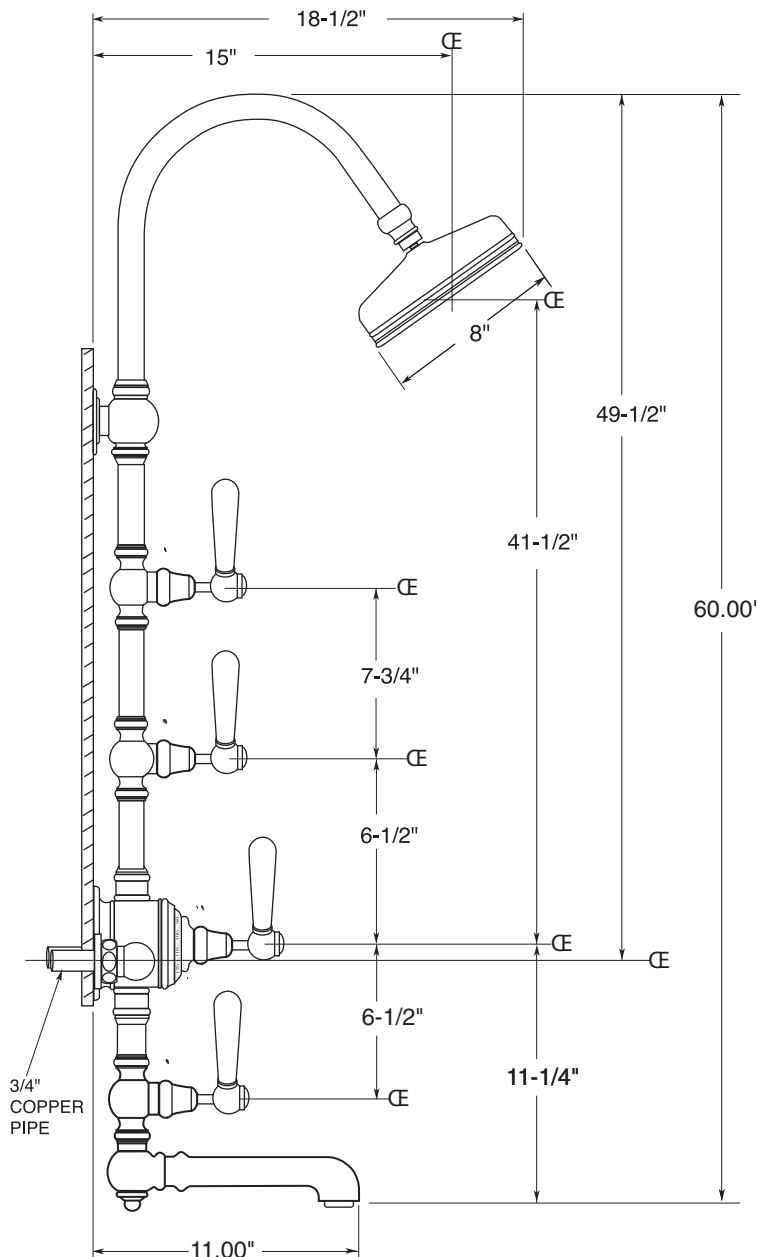
FEATURES:

- All brass construction.
  - Ceramic dial assembly.
  - Thermostatic valve cartridge P/N: 18.30.176
  - Porcelain handshower wand P/N: 18.10.205
  - 60" Spiral hose supplied P/N: 18.10.016
  - Available in all finishes. Warranty varies according to finish selection.
  - Meets: ASME A112.18.1-2005/CSAB125.1-2005
- NOTE: Do not rough out without copper rough-in guide. Guide will be sent ahead upon request.

TechData  
SPECIFICATIONS  
Reserve  
Collection

Exposed Thermostatic  
Tub & Shower Set with Handshower  
(484) Straight Lever

7.00484880



Note: Measurements are subject to change or cancellation. No responsibility is assumed for use of superseded or voided pages.