

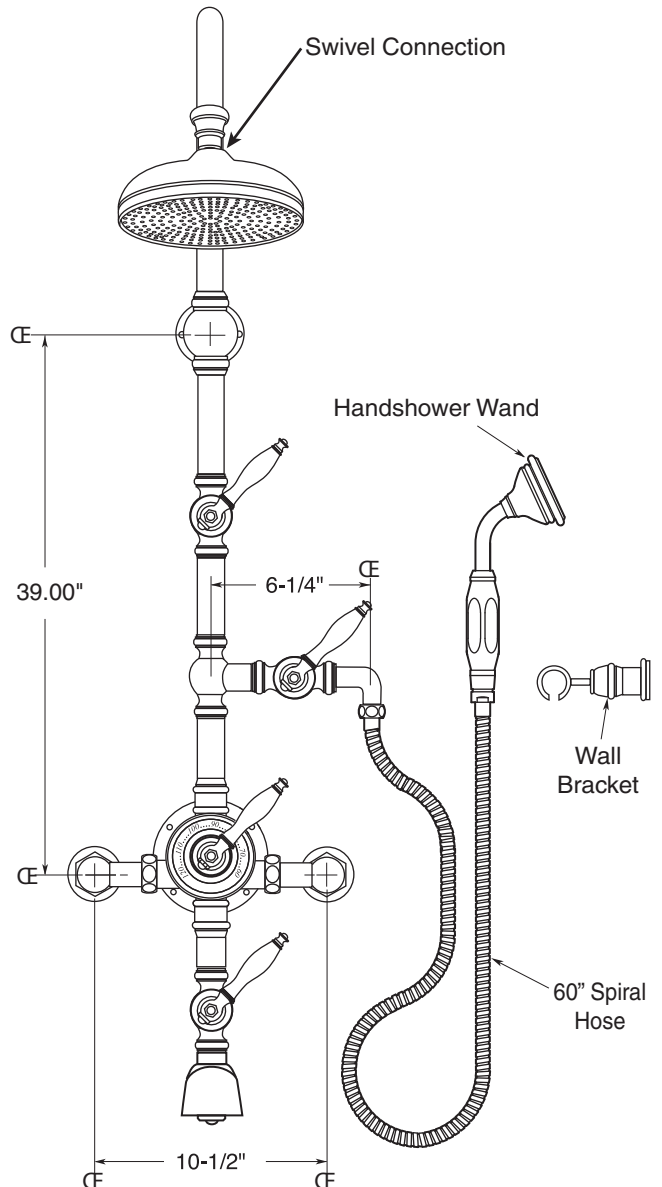
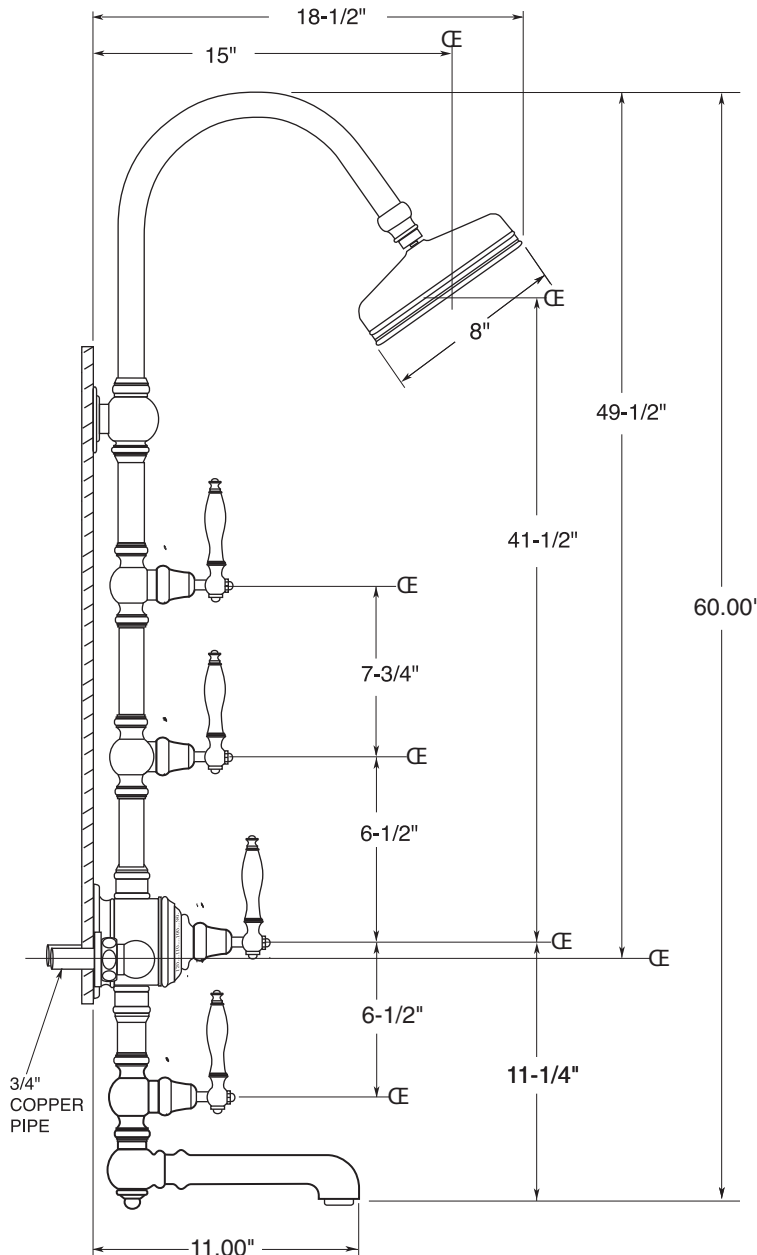
FEATURES:

- All brass construction.
 - Ceramic dial assembly.
 - Thermostatic valve cartridge P/N: 18.30.176
 - Porcelain handshower wand P/N: 18.10.205
 - 60" Spiral hose supplied P/N: 18.10.016
 - Available in all finishes. Warranty varies according to finish selection.
 - Meets: ASME A112.18.1-2005/CSAB125.1-2005
- NOTE: Do not rough out without copper rough-in guide. Guide will be sent ahead upon request.

TechData
SPECIFICATIONS
Reserve
Collection

Exposed Thermostatic
Tub & Shower Set with Handshower
(486) Finial Lever

7.00486880



Note: Measurements are subject to change or cancellation. No responsibility is assumed for use of superseded or voided pages.