

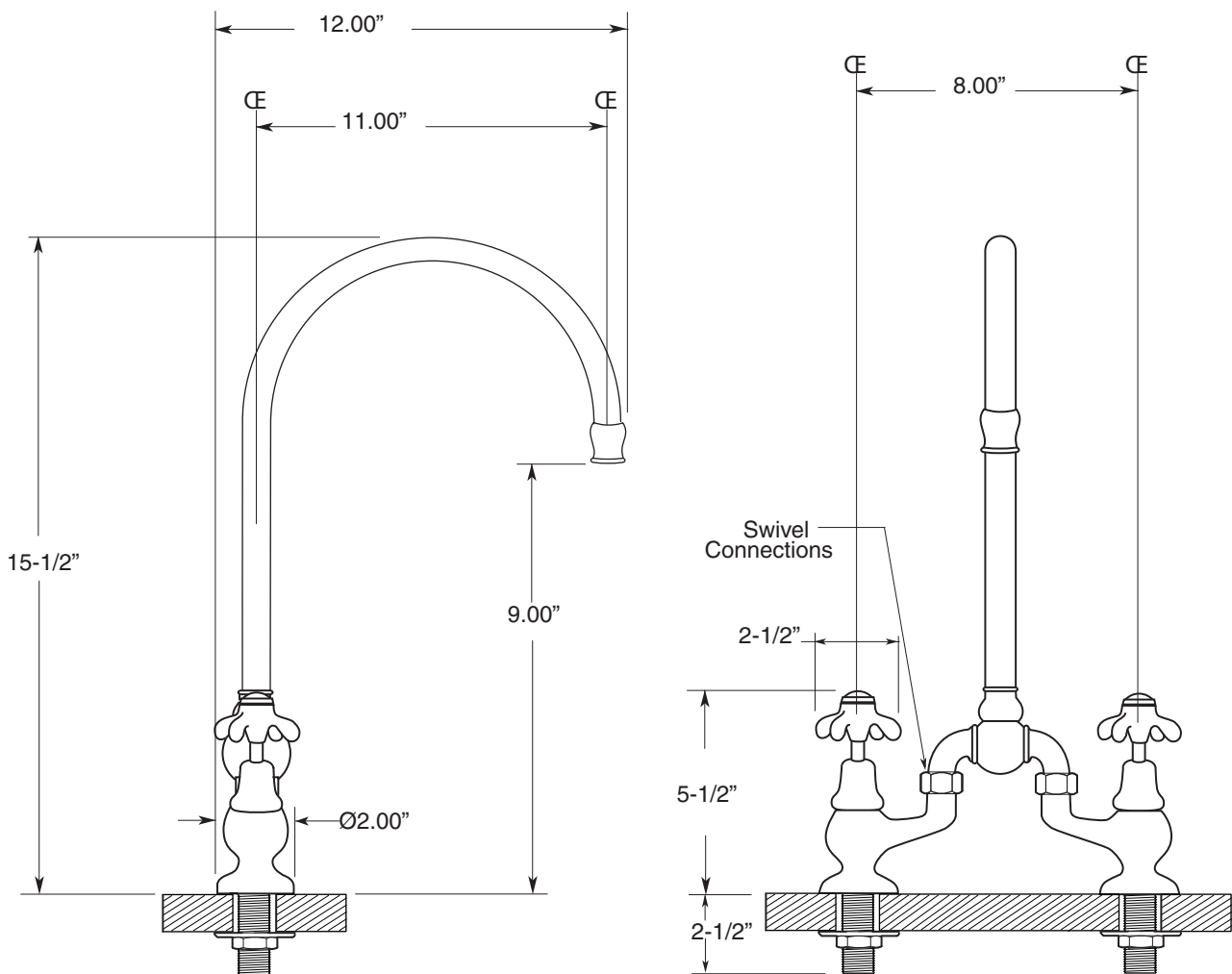
TechData Specification Sancerre

FEATURES:

- All brass construction.
- Kitchen aerator is limited to 2.2 GPM
- Concealed aerator requires special supplied removal key.
- Maximum deck thickness: 1-1/4"
- Replacement cartridge: 18.30.035 - cold / 18.30.036 - hot
- Available in all finishes. Warranty varies according to selection.
- Meets: ASME A112.18.1-2005/CSAB125.1-2005

Bridge Kitchen or Bar Faucet
with High Arc Swivel Spout
(481) Drop Cross Handle

7.57481040



NOTE: Spout and valves install through 1-1/4" Diameter Holes

Connections are for 1/2" IPS
Flexible Supplies or 3/8" O.D.
Bull-Nose Risers

Note: Measurements are subject to change or cancellation. No responsibility is assumed for use of superseded or voided pages.