

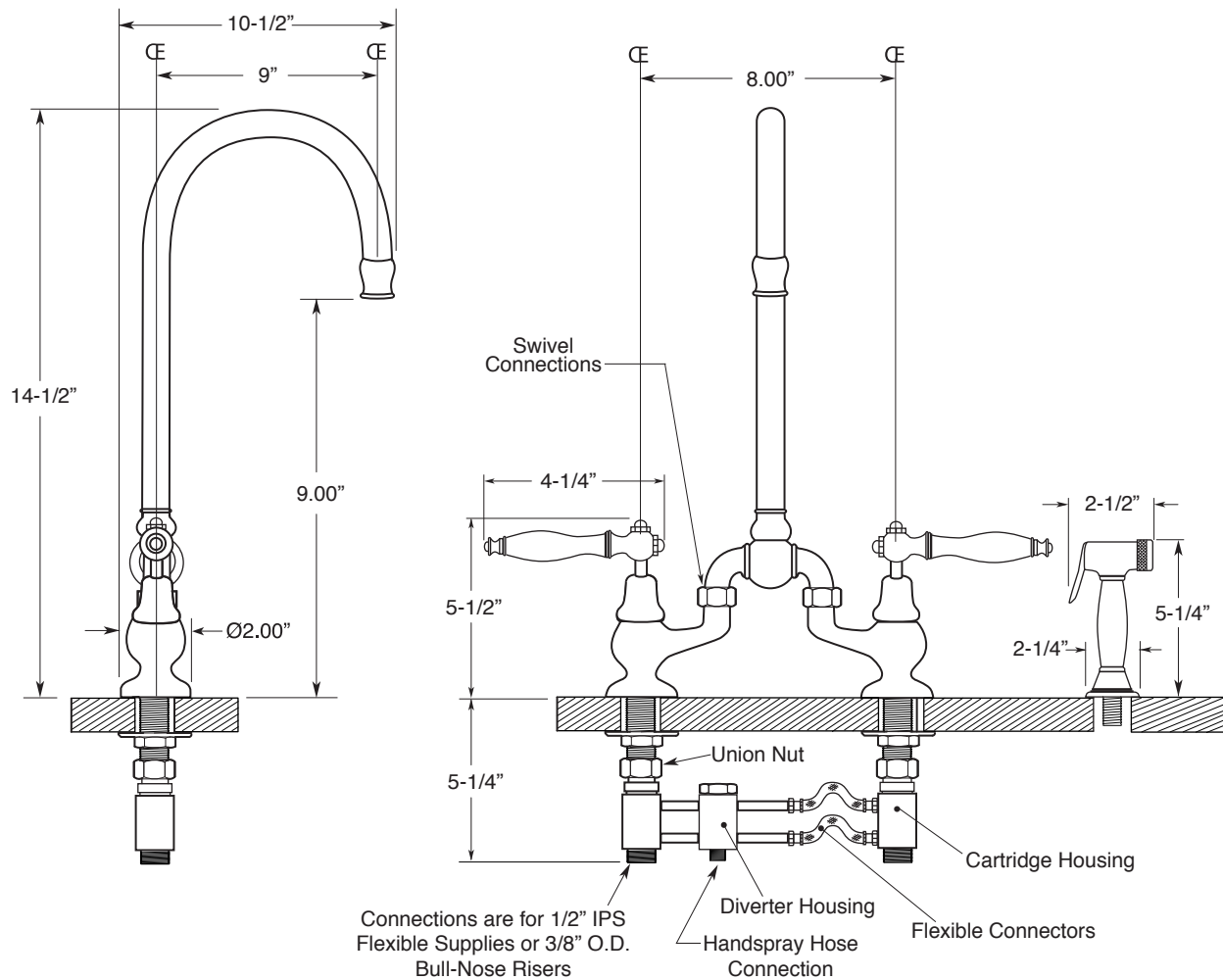
Specification
Sancerre

Bridge Kitchen Faucet
with Swivel Spout
and Handspray
(486) Finial Lever

7.57486032

FEATURES:

- All brass construction.
- Kitchen aerator is limited to 2.2 GPM
- Concealed aerator requires special supplied removal key.
- Maximum deck thickness: 1-1/4"
- Replacement cartridge: 18.30.035 - cold / 18.30.036 - hot
- Available in all finishes. Warranty varies according to selection.
- Certified to meet or exceed the following codes and standards:
ASME A112.18.1/CSAB 125.1-2011



NOTE: Spout and valves install through 1-1/4" Diameter Holes

Note: Measurements are subject to change or cancellation. No responsibility is assumed for use of superseded or voided pages.