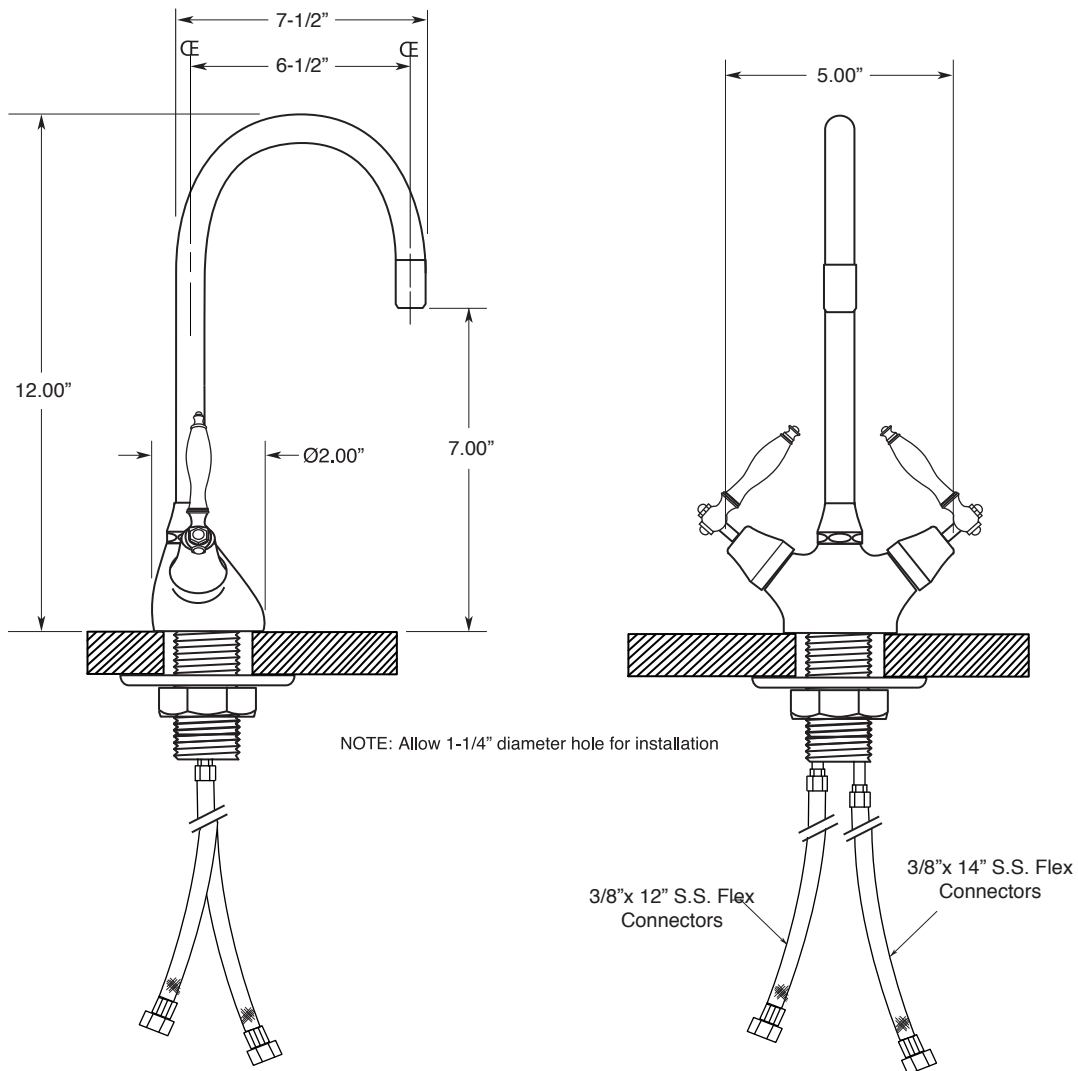


**FEATURES:**

- All brass construction.
- Aerator is limited to 2.2 GPM
- Concealed aerator requires special supplied removal key.
- Maximum deck thickness: 1-1/4"
- 12" Stainless Steel flex hoses are supplied.
- Replacement cartridge: 18.30.035 - cold / 18.30.036 - hot
- Available in all finishes. Warranty varies according to selection.
- Certified to meet or exceed the following codes and standards:  
ASME A112.18.1/CSAB 125.1-2011



Note: Measurements are subject to change or cancellation. No responsibility is assumed for use of superseded or voided pages.