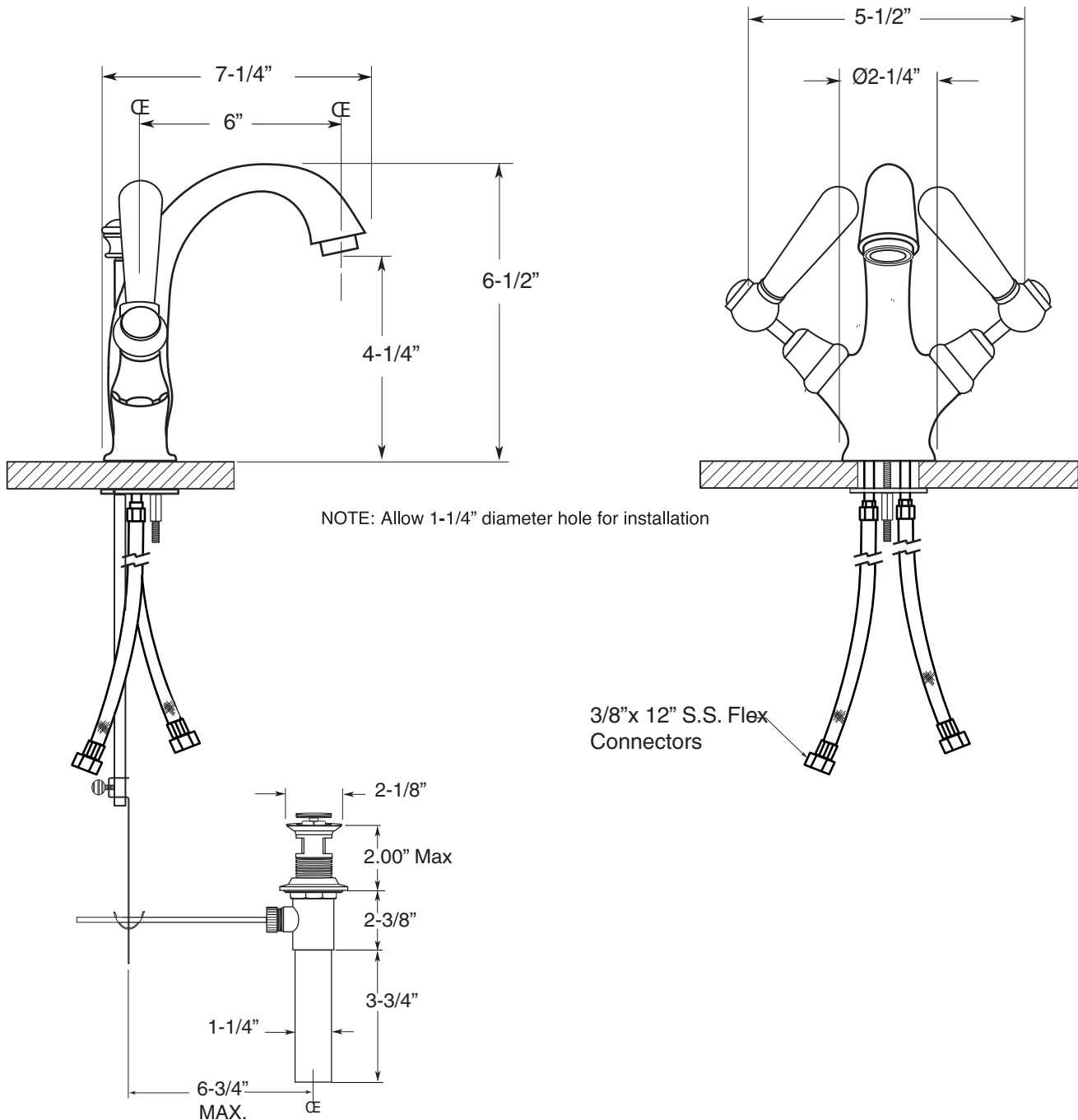


FEATURES:

- All brass construction
- Includes pop-up drain assembly with overflow. P/N 18.11.041
- 12" Stainless steel flex lines are supplied
- Standard aerator is limited to 1.5 GPM
- Maximum deck thickness: 1-1/2"
- Replacement cartridge: 18.30.035-cold, 18.30.036-hot
- Available in all finishes. Warranty varies according to finish selection.
- Meets: ASME A112.18.1-2005/CSAB125.1-2005

Single Hole Lavatory Faucet
(484) Straight Lever

7.0048418



Note: Measurements are subject to change or cancellation. No responsibility is assumed for use of superseded or voided pages.