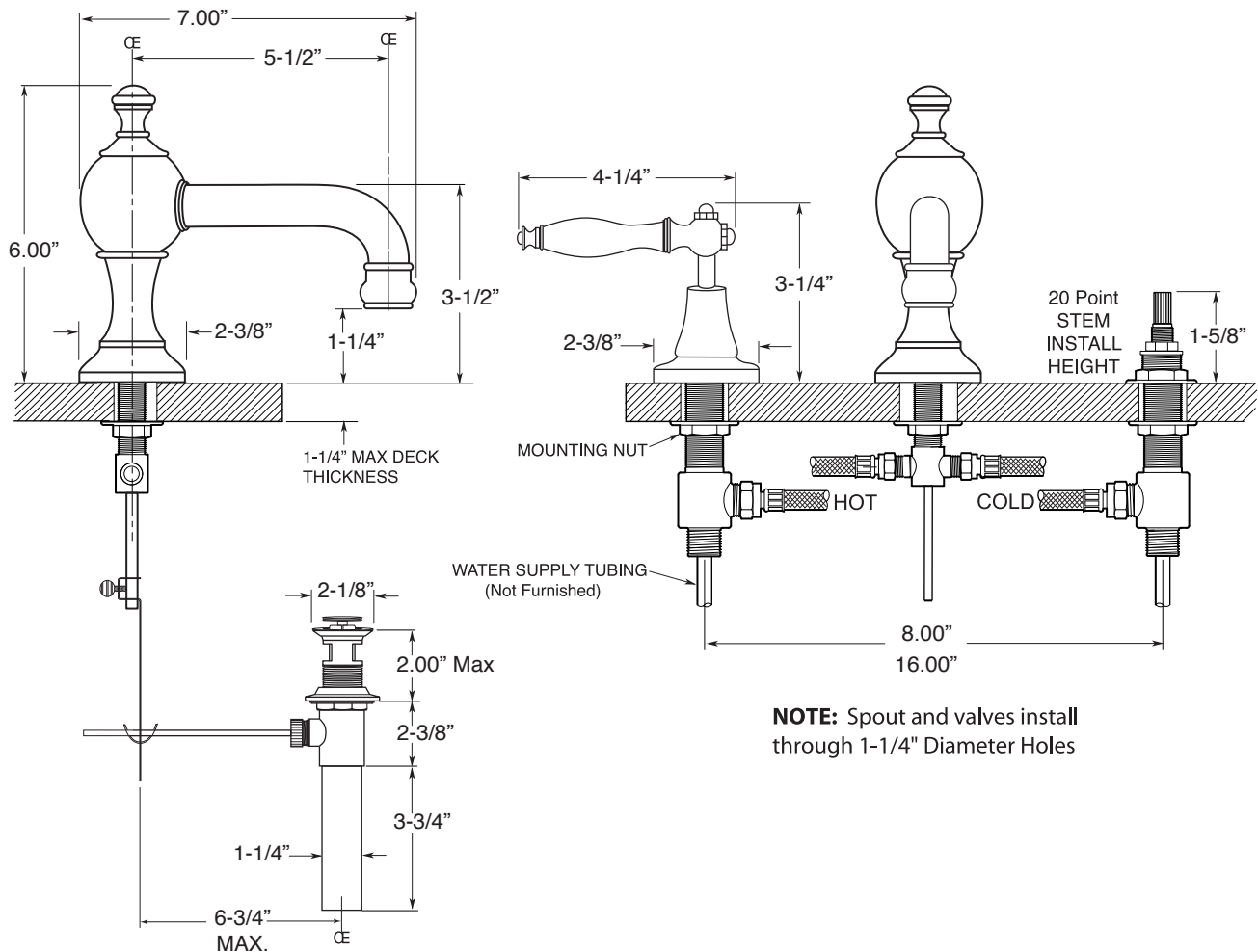


**FEATURES:**

- All brass construction. Flexible hoses designed to be installed on 8" to 16" centers.
- Includes pop-up drain assembly P/N 18.11.011.
- Concealed aerator is limited to 1.2 gpm.
- Requires special supplied removal key.
- 1/4-turn ceramic disc valve cartridge.
- Available in all finishes. Warranty varies according to finish selection.
- Certified to meet or exceed the following codes and standards:  
ASME A112.18.1/CSAB 125.1-2012.



**NOTE:** Spout and valves install through 1-1/4" Diameter Holes

Note: Measurements are subject to change. No responsibility is assumed for use of superseded or voided pages.