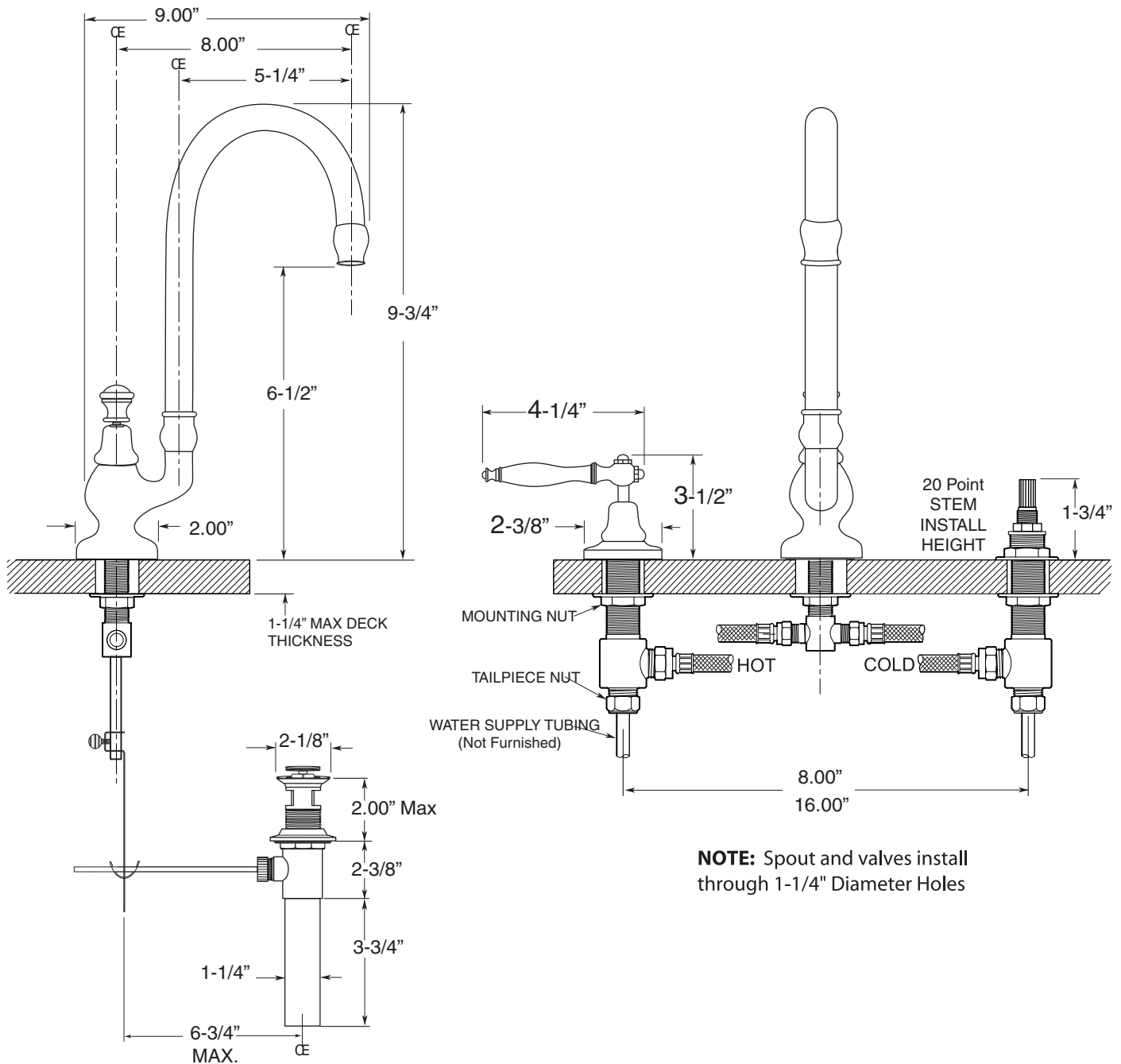


**FEATURES:**

- All brass construction. Flexible hoses designed to be installed on 8" to 16" centers.
- Includes pop-up drain assembly P/N 18.11.041
- Concealed aerator is limited to 1.5 gpm. Requires special supplied removal key
- 1/4-turn ceramic disc valve cartridge.
- Available in all finishes. Warranty varies according to finish selection.



**NOTE:** Spout and valves install through 1-1/4" Diameter Holes

Note: Measurements are subject to change or cancellation. No responsibility is assumed for use of superseded or voided pages.